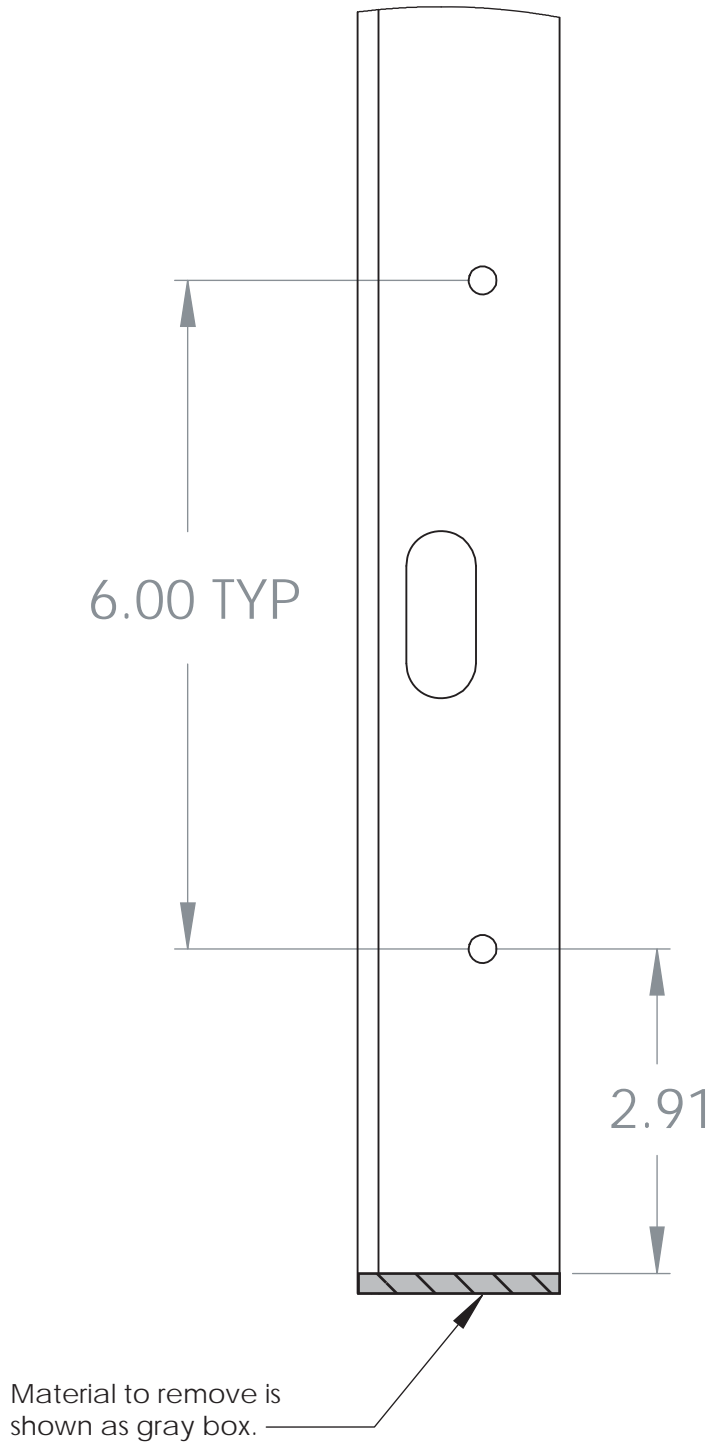


Assembly & Installation Instructions

SYSTEM 1224

12.7 Cutting Guide for extending 1224 uprights

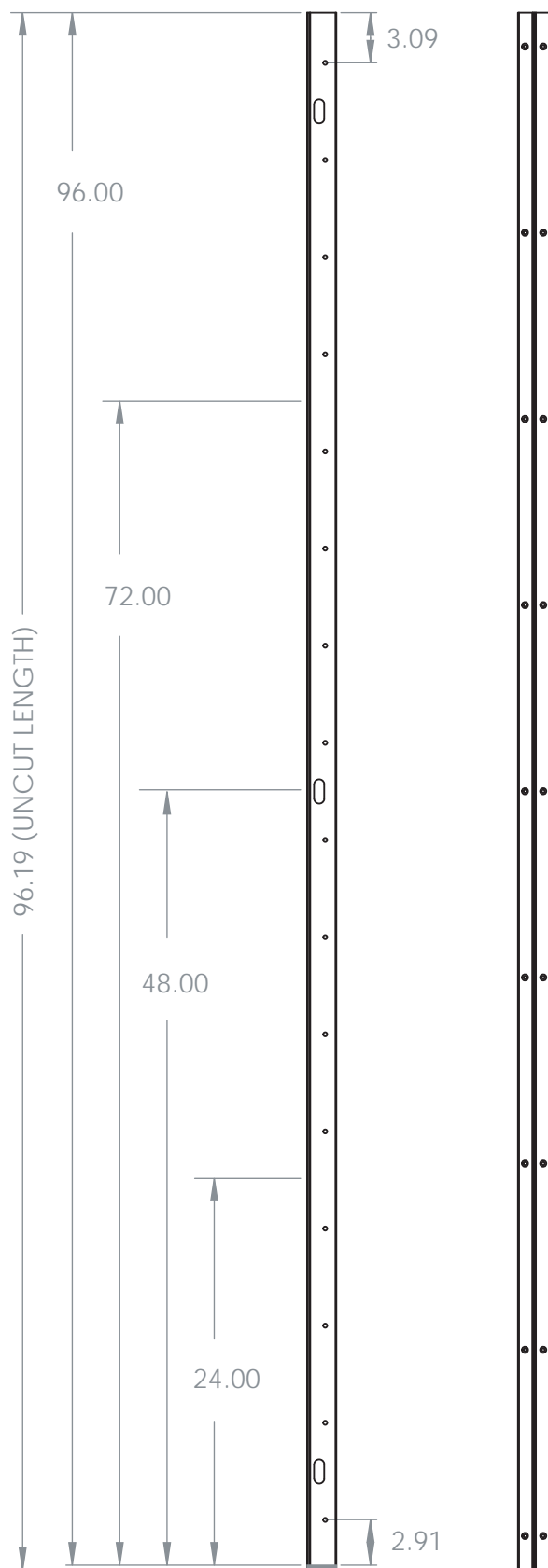
Measure 2.91" from centerline of first hole to end of upright and make cut, removing .19" of material. Material to remove is shown as gray box.



Assembly & Installation Instructions

SYSTEM 1224

12.7 Cutting Guide for extending 1224 uprights

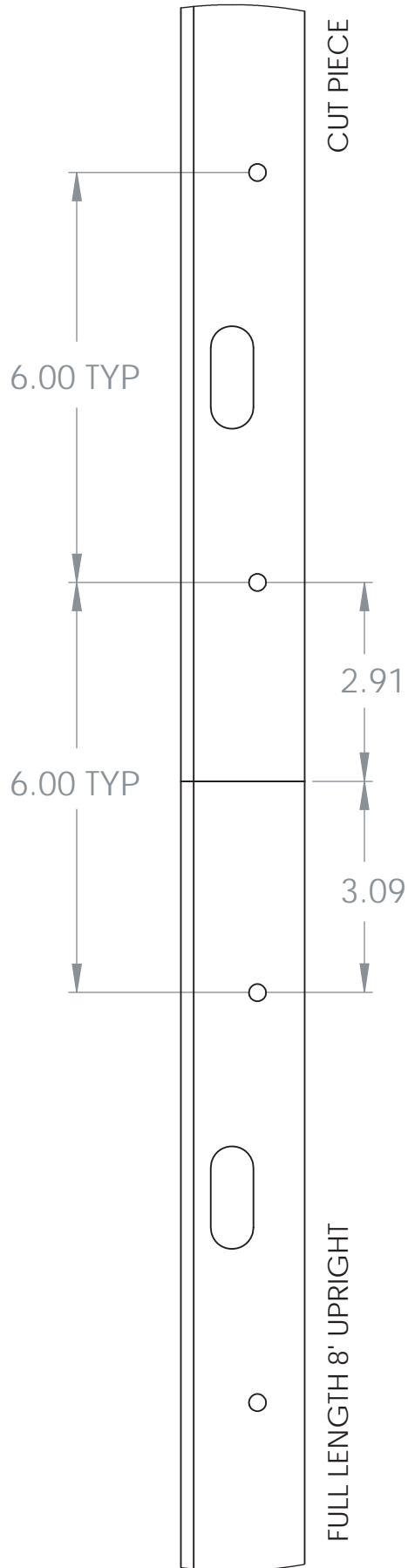


Measure desired length from cut edge in increments of 12". Make cut. (illustration to left shows an example of cuts at 2' increments).

Assembly & Installation Instructions

SYSTEM 1224

12.7 Cutting Guide for extending 1224 uprights



Space between pin of 8' upright and cut piece should be 6"