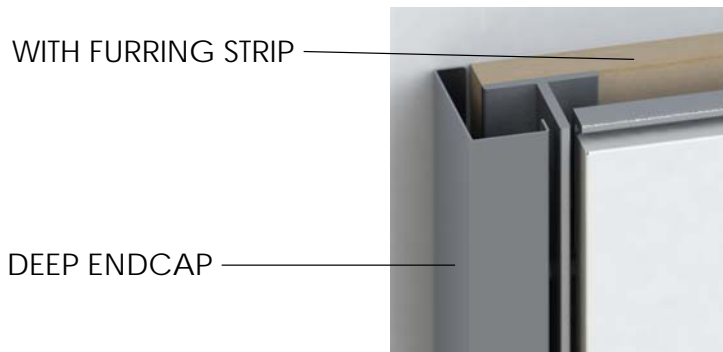


COMPLETED WALL SETUP
(WITH PANELS)



APPROVED
By Daniel Williams at 3:19 pm, Jan 19, 2016

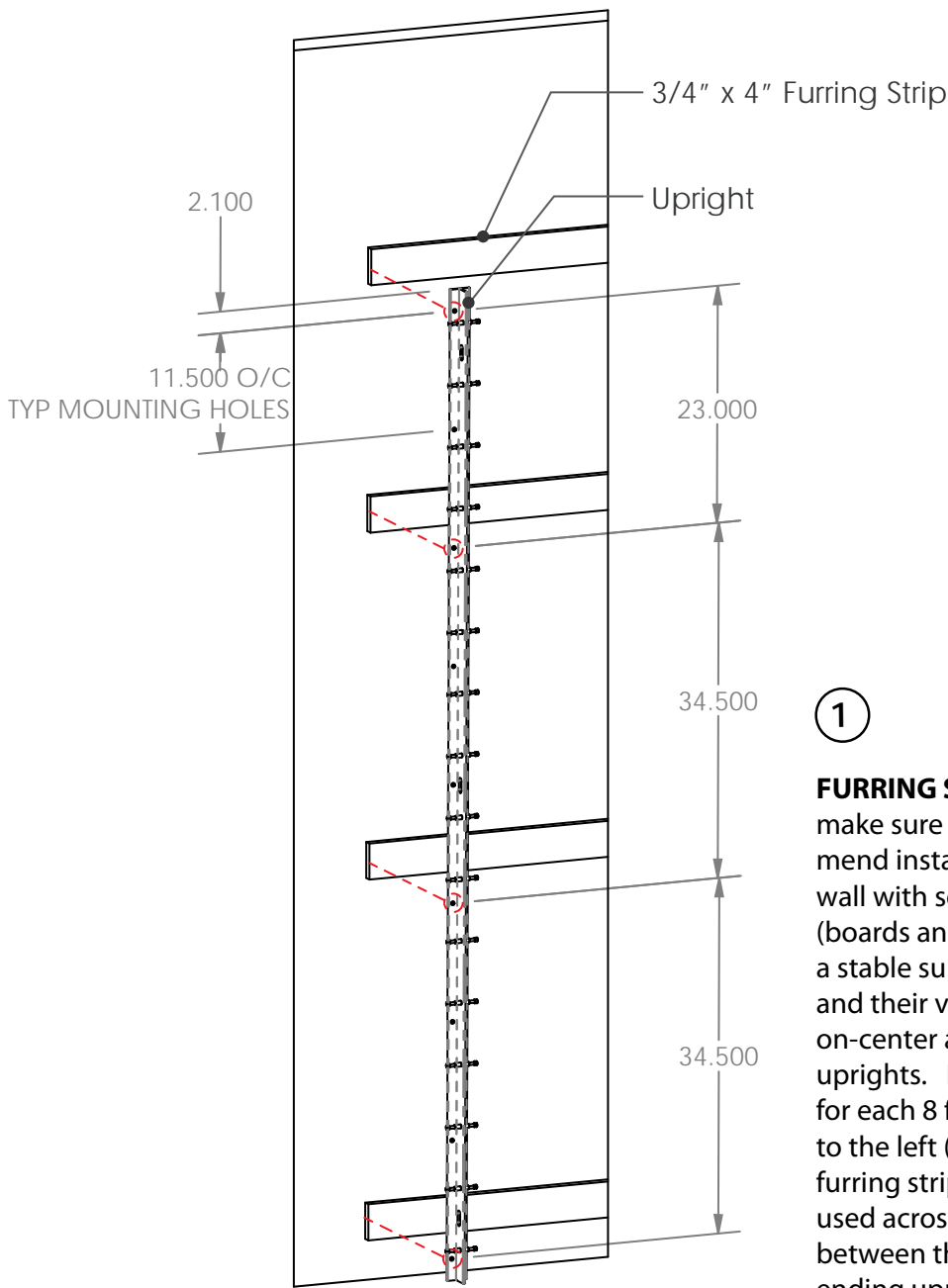
REV: 1

DRAWN BY: AH

DRAWN DATE: 12/10/2015



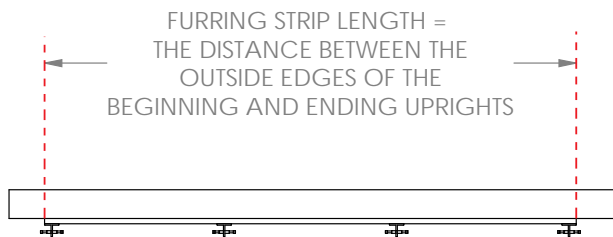
B&N INDUSTRIES
650.593.4127
WWW.BNIND.COM



(FIG A.)

1

FURRING STRIPS: Before attaching uprights, make sure the wall surface is planar. We recommend installing 3/4" thick x 4" tall boards to the wall with screws in the above increments (boards and screws not included). They provide a stable surface on which to install the uprights and their vertical spacing depends on the 11.5" on-center attachment hole spacing in the uprights. It is suggested to use 4 furring strips for each 8 ft vertical length of upright as shown to the left (FIG A). The total length of each furring strip depends on how many uprights are used across the wall and equals the distance between the outside edges of the beginning and ending uprights shown above with dashed lines. (FIG B).

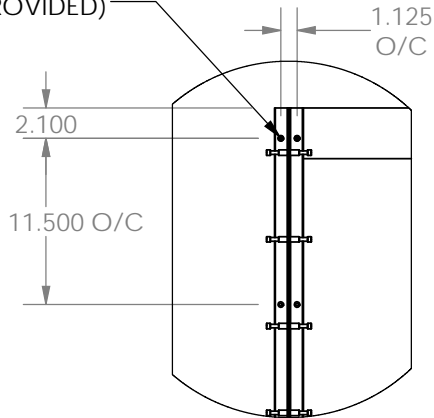


(FIG B.)

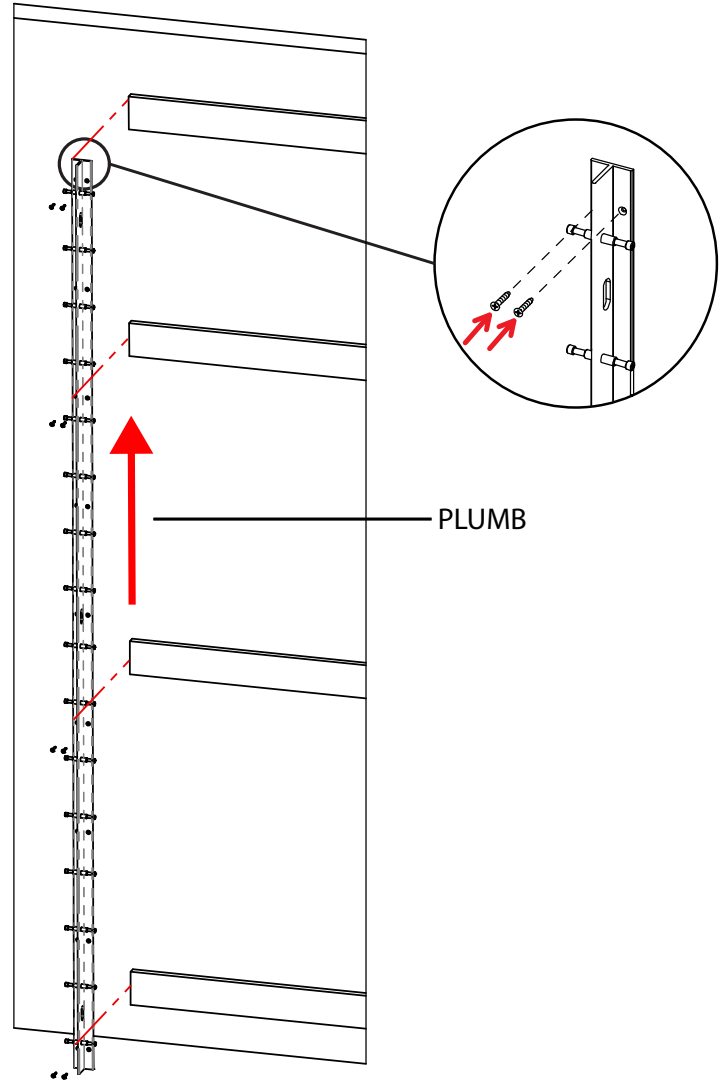
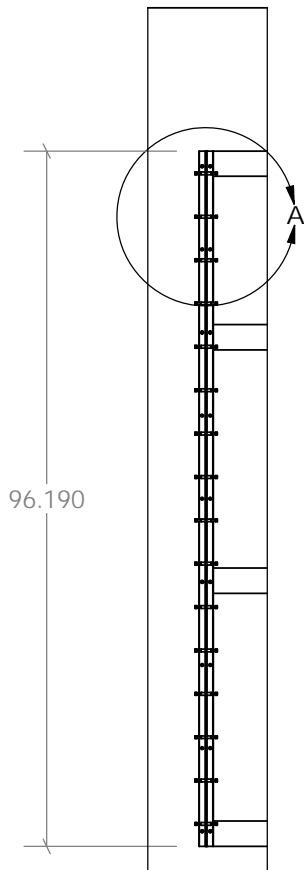
APPROVED
By Daniel Williams at 3:19 pm, Jan 19, 2016



ATTACH WITH #10 FLAT HD SCREW
(NOT PROVIDED)



DETAIL A
SCALE 2 : 25

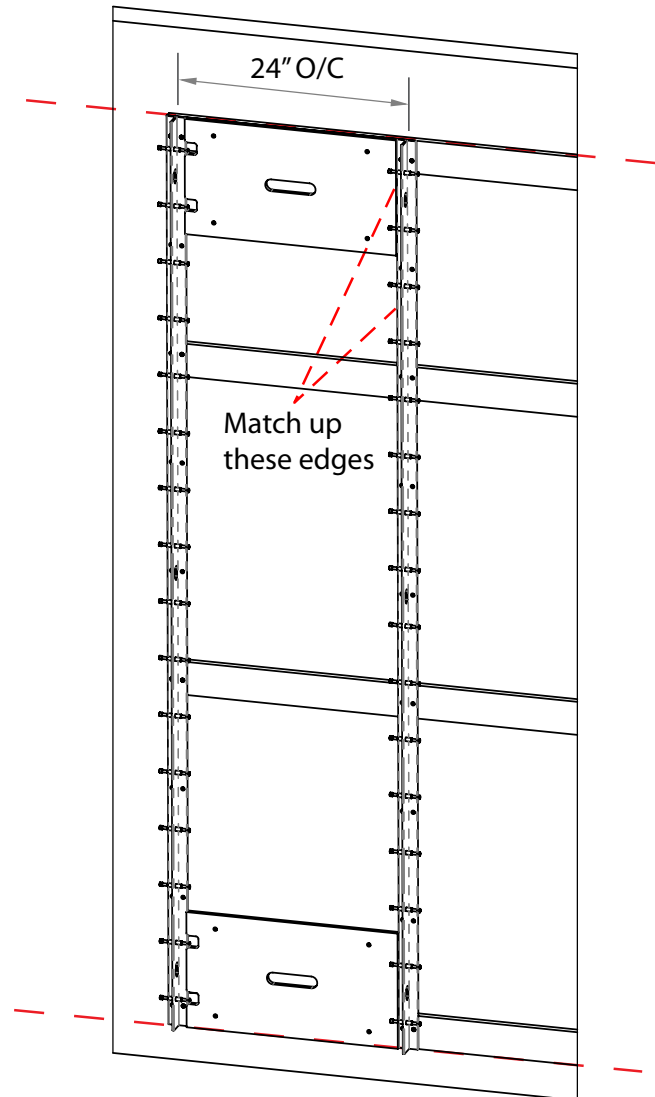
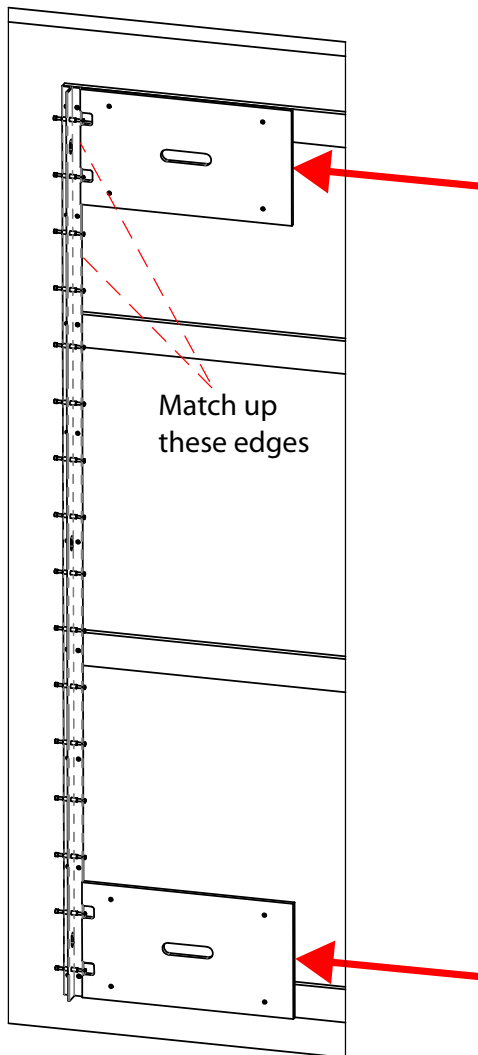


2

UPRIGHTS: Place the first upright over the furring strip as shown attaching it with 2 screws at the top, after plumbing it vertically. #10 flat-head screws are recommended but not provided. **Note: This is a critical step since all of the other uprights are based on its plumbness.**

APPROVED
By Daniel Williams at 3:20 pm, Jan 19, 2016





3

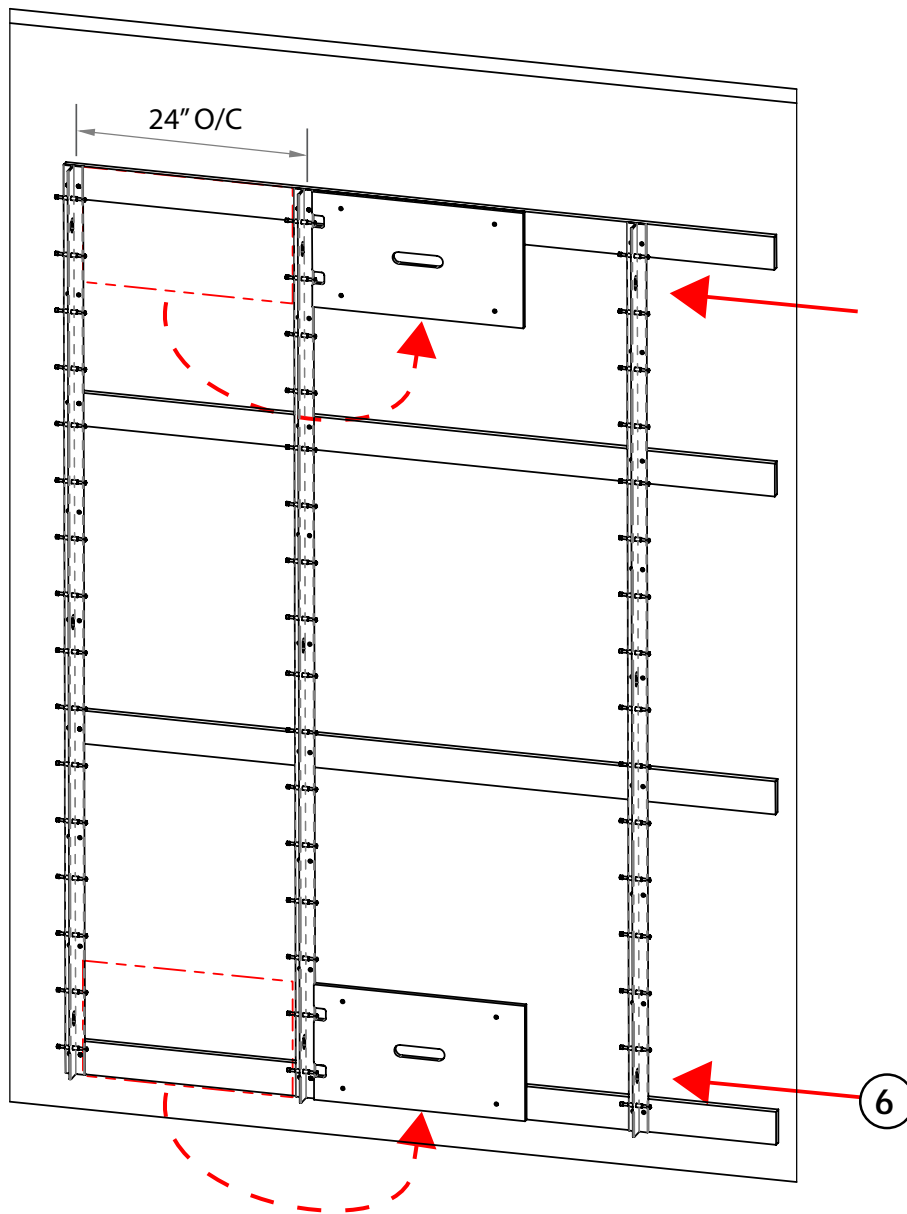
Locate the 2 templates with notches. Position them so that the knotted side is butted up to the right side of the upright at the top and bottom positions as shown. For best practice, make sure the top or bottom edges are lined up with the top or bottom edges of the uprights as shown. Temporarily attach them to the wall with screws (not provided) in the holes.

4

The templates are sized to space the uprights at 24" on-center. Also, the flush side of your template acts as a mating surface to correctly space the adjacent upright (as marked). Mate the left side of the next upright to this edge, making sure the uprights are aligned vertically (see dashed lines).

APPROVED
By Daniel Williams at 3:20 pm, Jan 19, 2016





5

Move the templates over one row, matching up the knotted side of the template with the right side of the second upright. Attach them to the wall temporarily with screws (not provided).

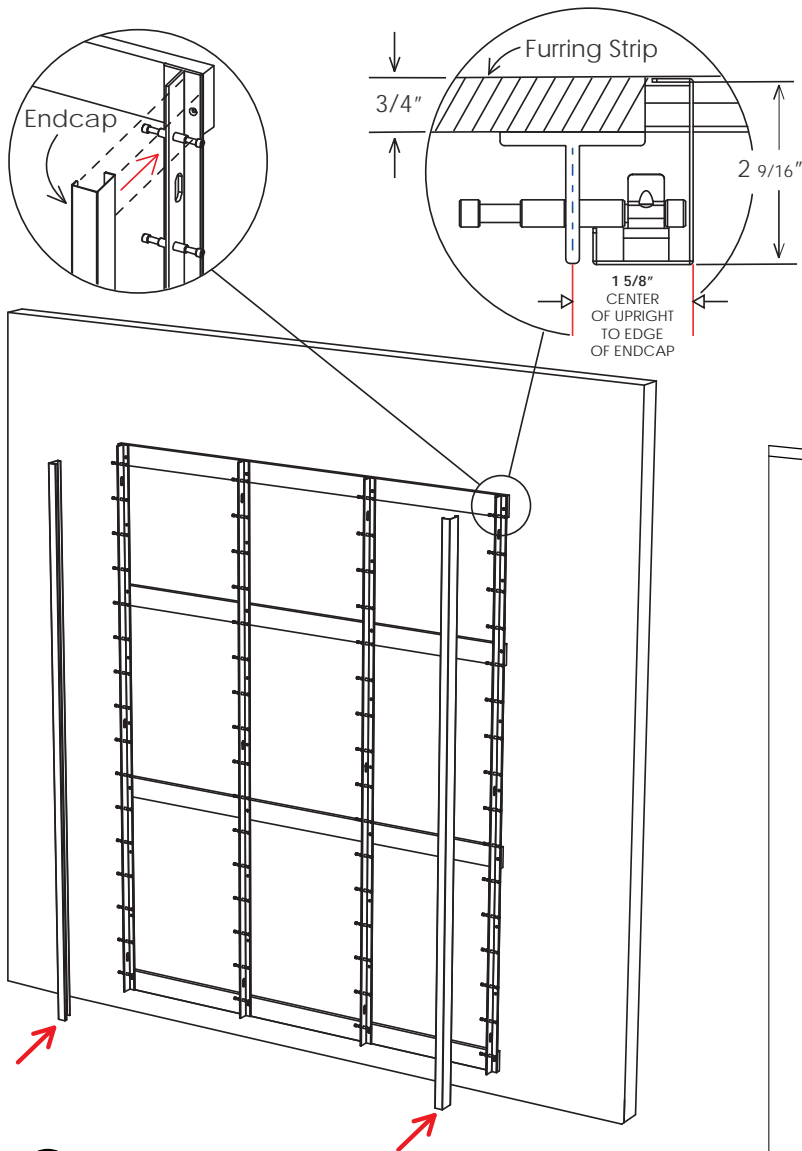
6

Repeat steps 4 and 5 for subsequent uprights until all uprights are installed.

APPROVED
By Daniel Williams at 3:20 pm, Jan 19, 2016

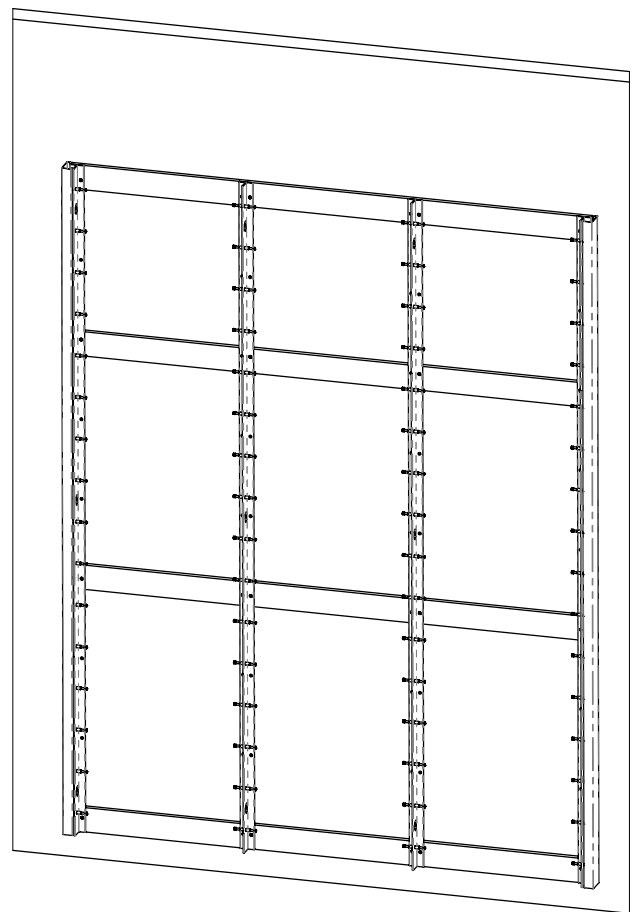


B&N INDUSTRIES
650.593.4127
WWW.BNIND.COM



7

Install one endcap on either end of the uprights as shown above. First, attach the bottom-most clip on the endcap to the bottom pin on the upright. Then rotate the rest of the upright into place, pushing it on until it clicks in 4 places along its length.



8

COMPLETED WALL SETUP
(WITHOUT PANELS)

APPROVED
By Daniel Williams at 3:21 pm, Jan 19, 2016



B&N INDUSTRIES
650.593.4127
WWW.BNIND.COM