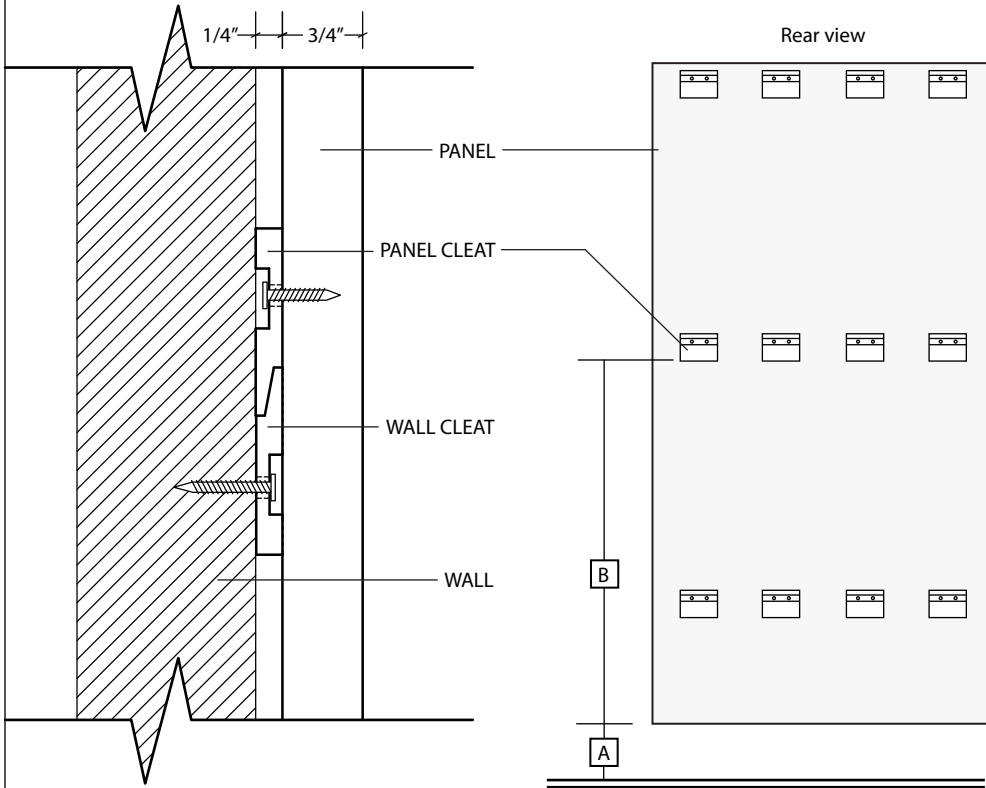


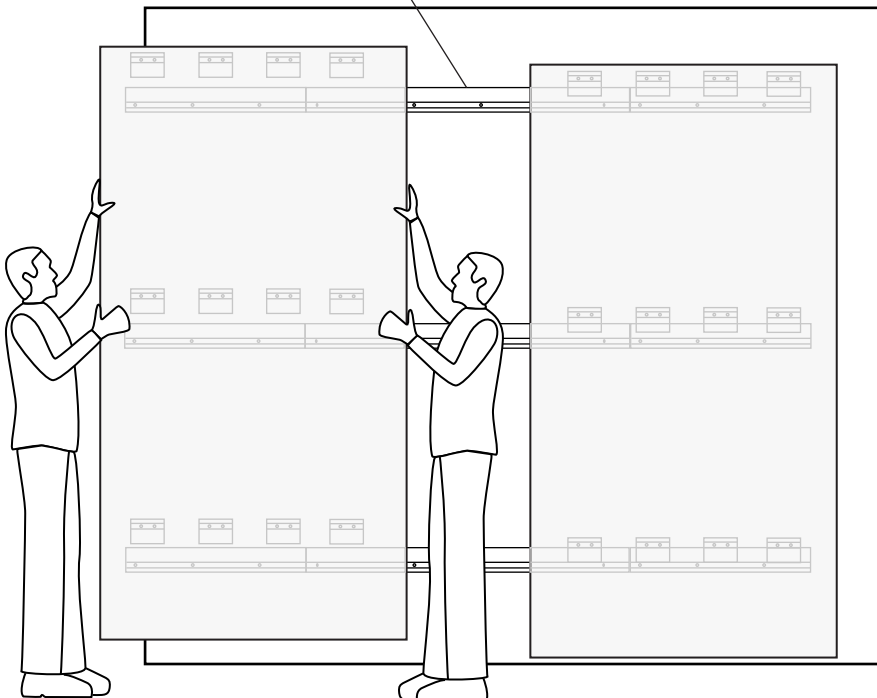
Assembly & Installation Instructions

APPROVED
By dwilliams at 8:09 am, Aug 01, 2012

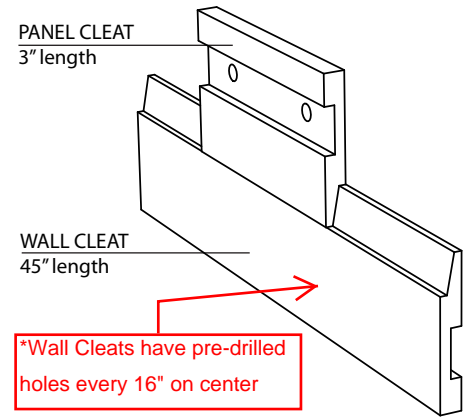
Depending on panel types, panels may be shipped with or without panel cleats.



INSTALL WALL CLEAT BETWEEN MULTIPLE PANELS AS SHOWN (OVERLAPPING). WALL CLEATS MAY NEED TO BE TRIMMED ON SITE ON OUTER SIDES AS NEEDED.



1.1 : CLEATING



WALL AND PANEL CLEAT ATTACHMENT PROCEDURE

Note: Some panels ship without cleats attached. Simply attach each panel cleat to panel using provided screws.

1. Test.
Placement of Panel on to Wall.
(Allow at least 1" from the top edge of panel and any non moveable surface to hang panel.)
2. Measure.
 A = Panel (lower edge) to floor.
 B = Panel Cleat (lower edge) to Panel (lower edge).
3. Calculate.
 $A + B + 3/4"$ (cleat overlap) = C
4. Attach.
Align top edge of Wall Cleat w/ measurement C .
Predrill / Screw Wall Cleat into wall stud.
5. Repeat.
Procedures 1-4 or all remaining Wall Cleats.
6. Hang Panel.
Make sure that all Panel Cleats are hooked inside Wall Cleat groove.

Technical Specifications

Weight- 120-130 lbs (approx.)



B&N INDUSTRIES
650.593.4127
WWW.BNIND.COM