

# **SORBETTI 2.0**

# **ASSEMBLY & INSTALLATION**

Rev 2023.09.27



## WARNING!

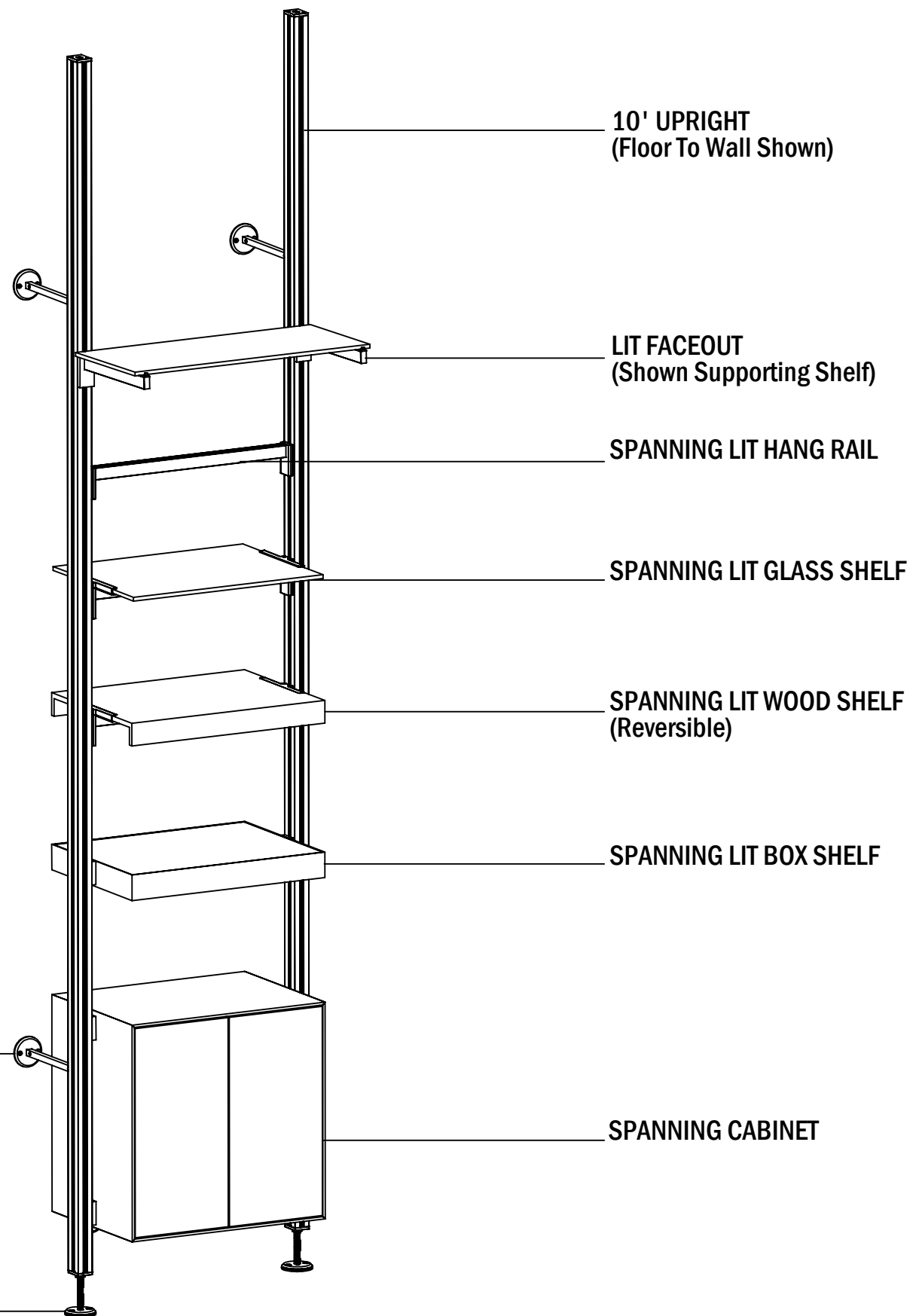
This is an electrified shelving system, and with all things electrical, safety should be of the highest priority. Use general good practices with electrical wiring. All electrical receptacles and wiring should be installed by a professional.

But using the system such as attaching, removing, and repositioning accessories *CAN* be done by nonprofessionals with basic tools and knowledge contained within these instructions.

1. To insure longevity of the system and to avoid electric shock, verify system is unplugged during installation of uprights and electrical components. Plug in and turn on the system only once installation is complete.
2. Turning on and off the system throughout installation to verify components are working is acceptable, as long as no components are added or moved while system is plugged in.
3. Any time a component is removed or repositioned, unplug the system.
4. Each accessory includes only ONE electrical connector. Verify the Electrified Pole Plate and Electrified Back Plate. This will prevent a short from occurring, which results in components not lighting. See Page 7 for more information.

# SORBETTI 2.0

## SYSTEM OVERVIEW



**GENERAL SCOPE:** The Sorbetti 2.0 System can be installed in many creative and varying configurations, but the two most-used installation styles are Floor to Ceiling and Floor to Wall, in both 24" and 48" on-center. Determine which method applies to the installation at hand and follow the instructions on the following pages.

**PROVIDED:**

- Spacing Jigs
- Allen keys to tighten Pole Plates to Uprights
- Electrical keys to turn "ON" Pole Plates

**NOT PROVIDED:**

- Hardware to attach to floor and wall

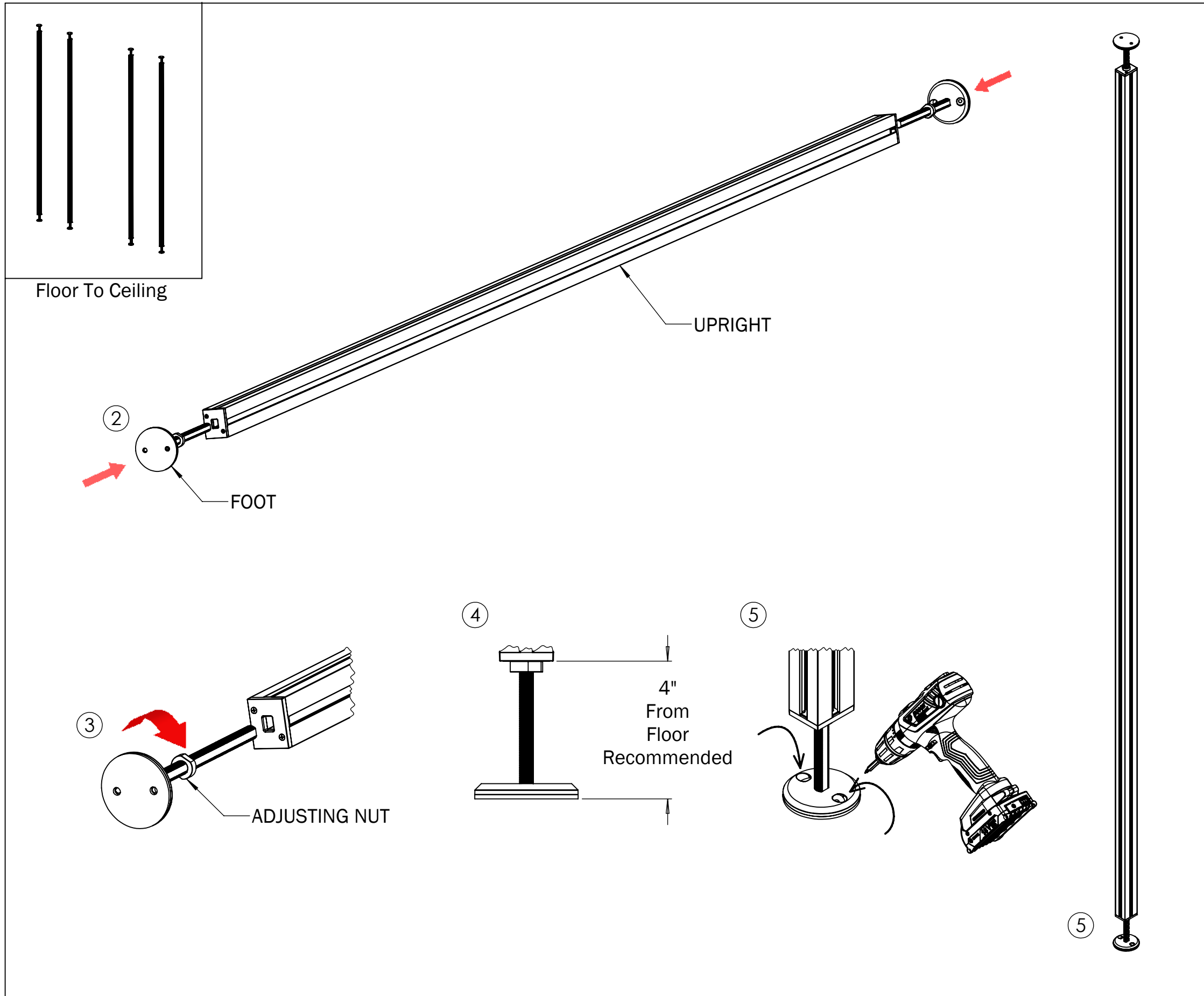
**RECOMMENDED TOOLS:**

- Hand Drill + necessary drill and driver bits
- Crescent Wrench
- Levels
- Tape Measure
- Miter Saw + proper blade if cutting uprights

# SORBETTI 2.0

## FLOOR TO CEILING UPRIGHT

PAGE  
4 of 13



**GENERAL SCOPE:** Floor To Ceiling Sorbetti Upright Assemblies are used when there is no option for the upright to be braced to a wall. It is best to begin setup by assembling all of the Sorbetti Uprights first.

**STEP 1:** If the ceiling height requires a shorter upright, see next page for instructions for cutting of the upright.

**STEP 2:** Insert the Sorbetti Foot into the top and bottom of the Sorbetti Upright.

**STEP 3:** Height of the foot is set by adjusting the tensioning nut.

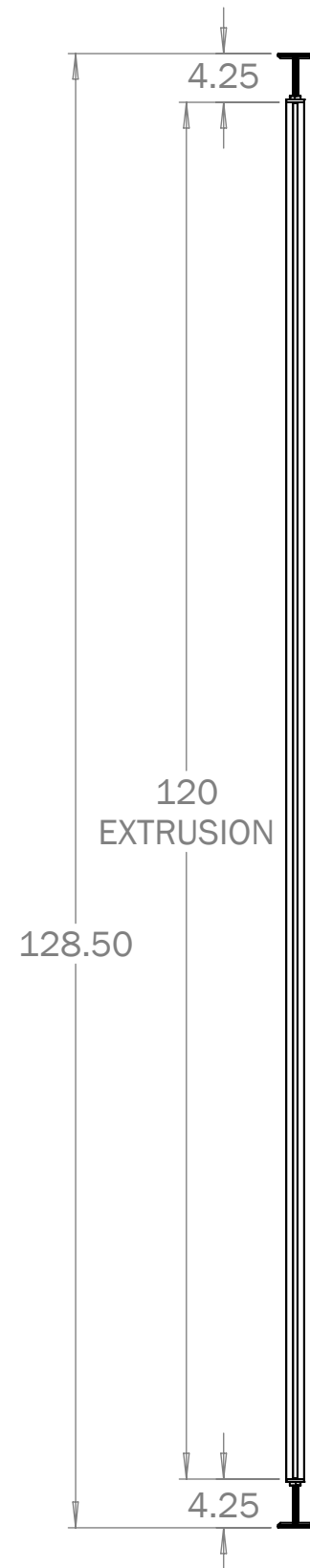
**STEP 4:** B+N recommends the Sorbetti Upright is adjusted to 4" from the floor using the nut on the foot (See image 4).

**STEP 5:** Position the upright assembly into its location. Using G.C. provided levels to maintain level both left to right and forward to back, secure the feet to the floor and upper support with appropriate screws (not provided).

**STEP 6:** Proceed to "*Spacing Uprights*" to install the additional uprights.

## CUTTING UPRIGHTS

① Determine the cut upright length.  
**CEILING HEIGHT - 8.5" = CUT EXTRUSION LENGTH**



Visible Electrical Conductor

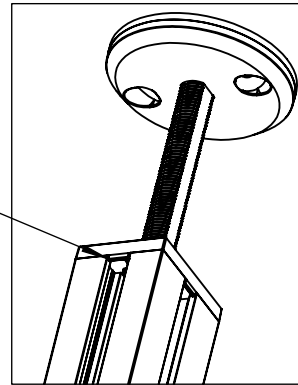
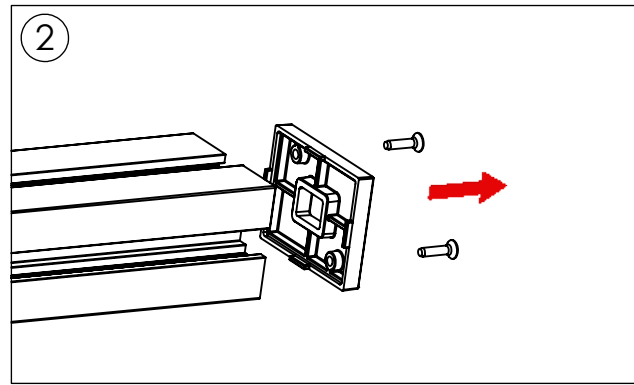
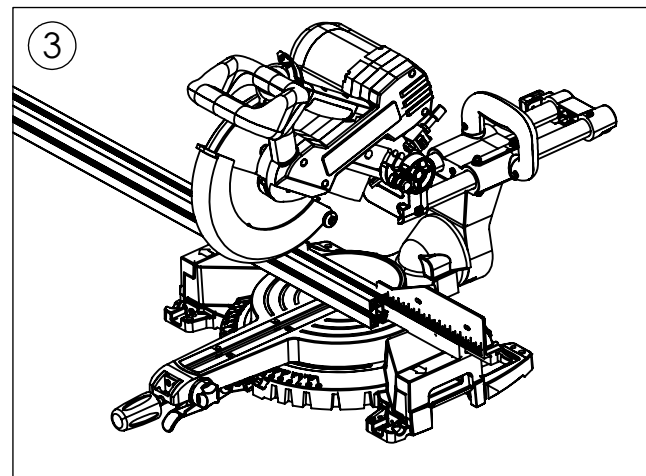


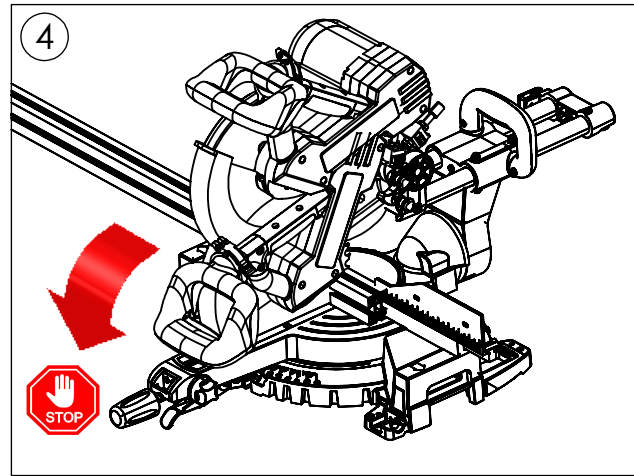
Figure 1



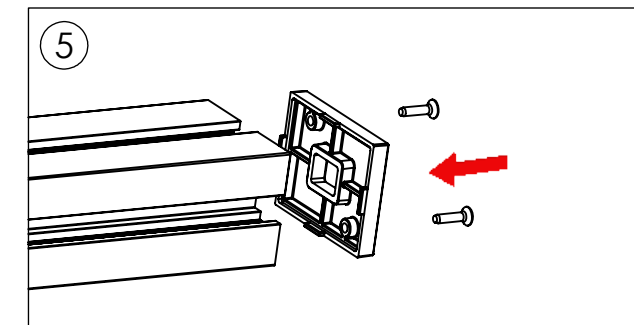
Disassemble cap.



Prepare to cut the upright.



Cut and **hold blade down until blade stops.**



Reassemble cap.

**GENERAL SCOPE:** Sorbetti 2.0 Uprights are an extrusion measuring 120". Adding the caps and top/bottom feet, the overall height of a Floor To Ceiling upright becomes 128.5". If the ceiling height measures less than 128.5", it is recommended to cut the uprights down.

**STEP 1:** To determine what to cut the upright down to, first obtain the floor to ceiling measurement. Using that measurement, subtract 8.5". The resulting number will be the new length dimension of the upright extrusion.

**STEP 2:** Remove the cap on the end of the upright that does *NOT* contain the electrical conductor. The electrical conductor prongs are visible through the channels of the upright (See *Figure 1*). The cap is held on by two small self-tapping flathead phillips screws.

**STEP 3:** Measure only the extrusion (do not include the cap), and mark the cut with the dimension calculated in *Step 1*.

**STEP 4:** Cut the upright. B+N recommends the use of the "Oshlun SBNF-120120" blade or an equivalent fine-toothed nonferrous metal cutting blade. Make the cut and hold the saw in the down position, turning off the saw, and waiting until the blade stops. Once the blade stops, slide the newly cut extrusion away from the blade, then lift the saw back up. **This is a crucial step that prevents damaging the copper strips inside the extrusion.**

**STEP 5:** Reattach the cap to the extrusion using the previously attached small self-tapping flat head screws..

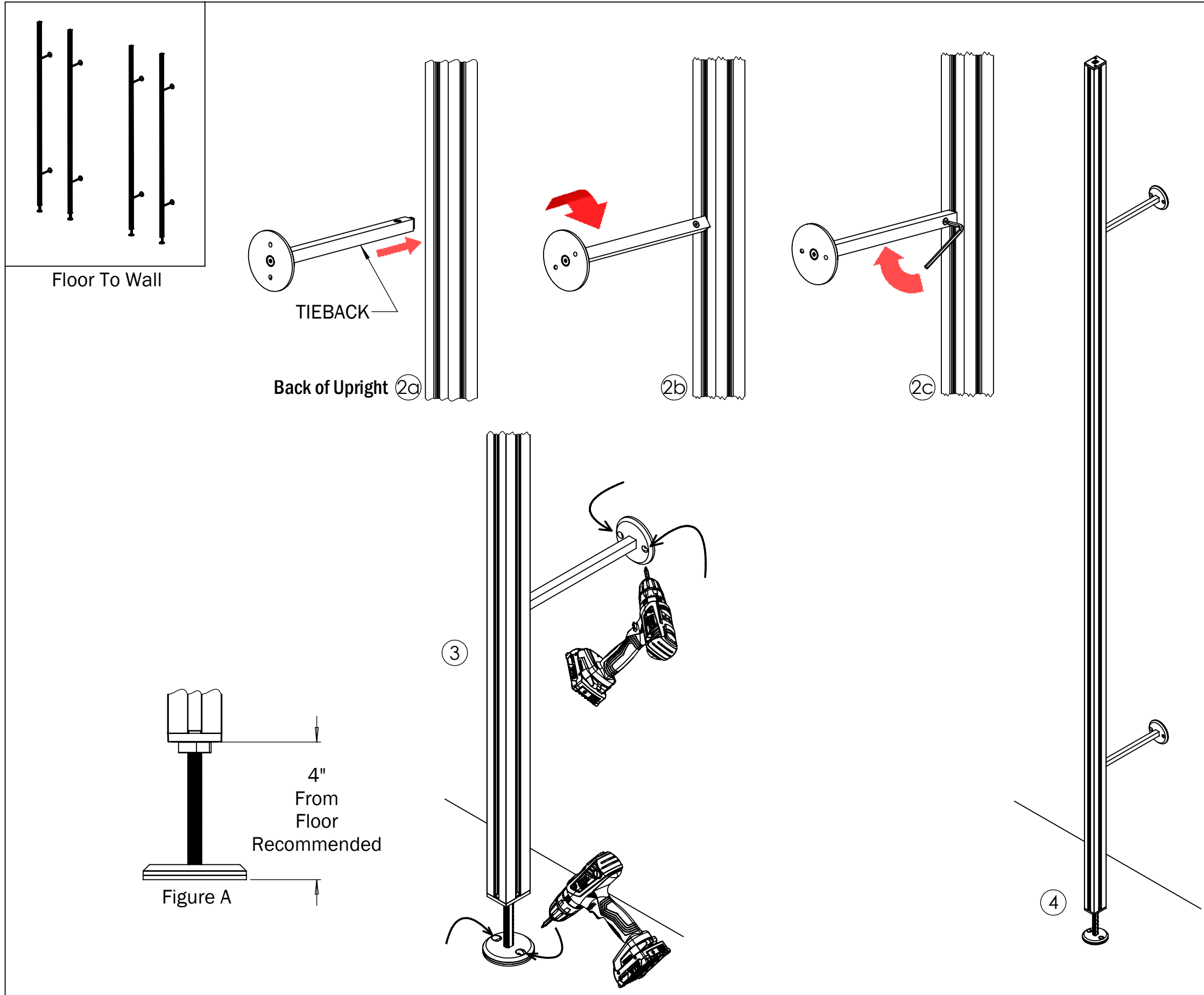


RECOMMENDED BLADE  
 OSHLUN SBNF-120120

# SORBETTI 2.0

## FLOOR TO WALL UPRIGHT

PAGE  
6 of 13



**GENERAL SCOPE:** Floor To Wall Sorbetti Upright Assemblies are the most secure method for installing Sorbetti 2.0. It is best to begin setup by assembling all of the Sorbetti Uprights first.

Note: Uprights must be secured into wall studs or other internal blocking. Sheetrock anchors *are not* recommended.

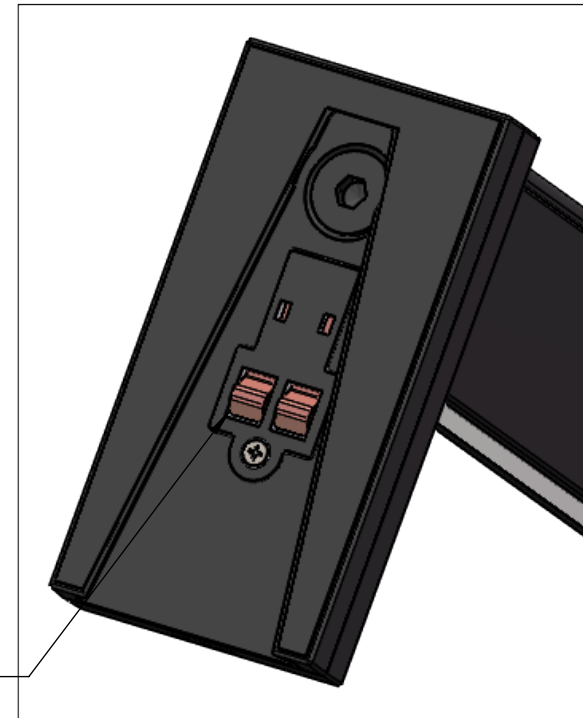
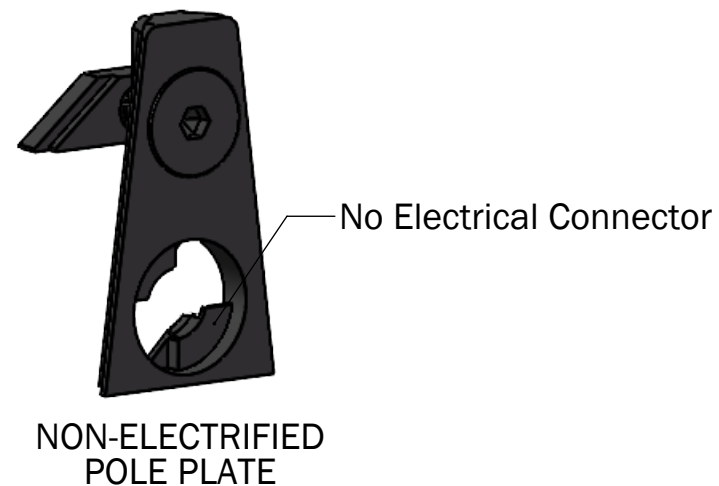
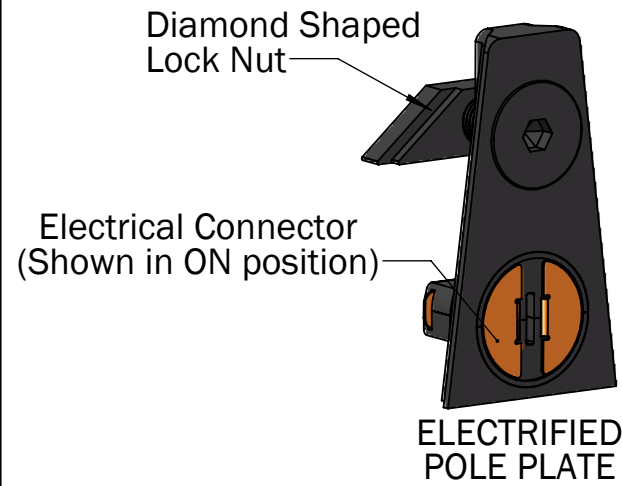
**STEP 1:** Follow steps for inserting and adjusting the Sorbetti Foot on the previous page. No foot is installed at the top of the upright.

**STEP 2:** Determine the height to install the Tieback. Insert the Tieback into the back side of the Upright (typically the narrow side), rotate the Tieback 90 degrees, and lock it into position with the allen key (see image 2C). Repeat for additional Tiebacks.

**STEP 3:** B+N recommends the Sorbetti Upright is adjusted to 4" from the floor using the nut on the foot (See *Figure A*).

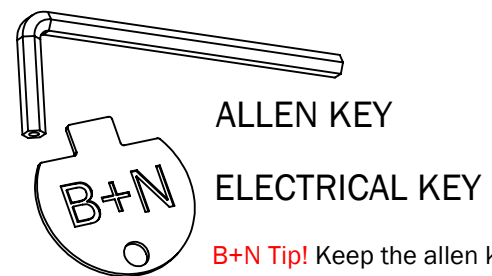
**STEP 4:** Position the upright assembly into its final location. Using levels to maintain level both left to right and forward to back, secure the foot to the floor and tie backs to the wall (with blocking) with appropriate screws for the material (not provided).

**STEP 5:** Proceed to "Spacing Uprights" to install the additional uprights.



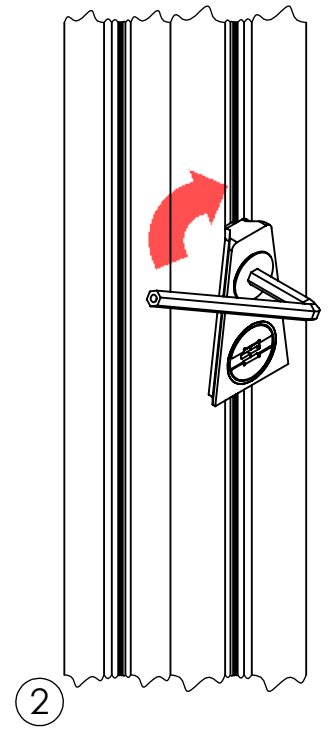
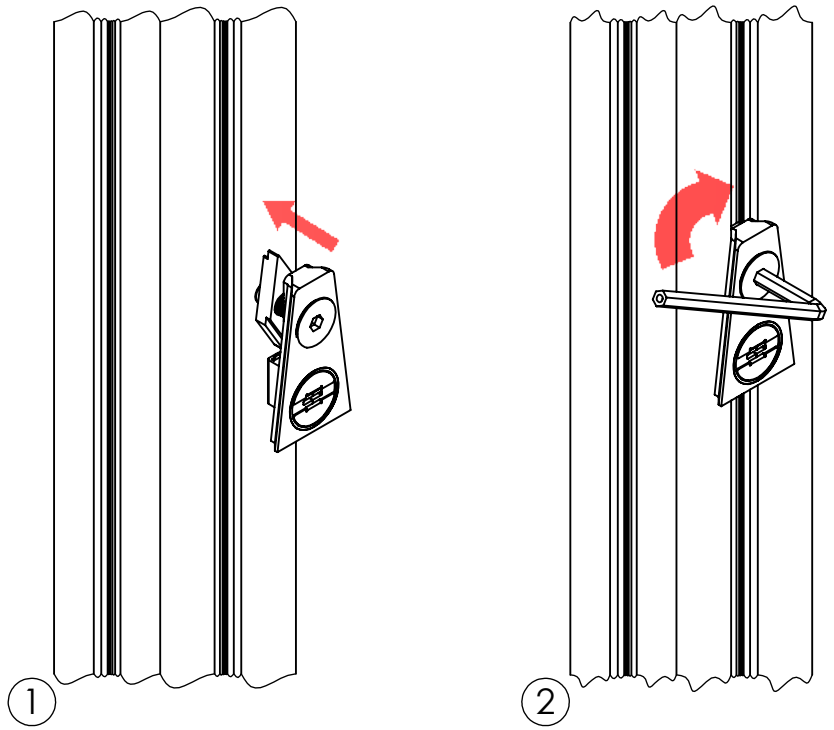
Copper connectors make contact with the Electrified Pole Plate.

These connectors are only present in one Back Plate per accessory.

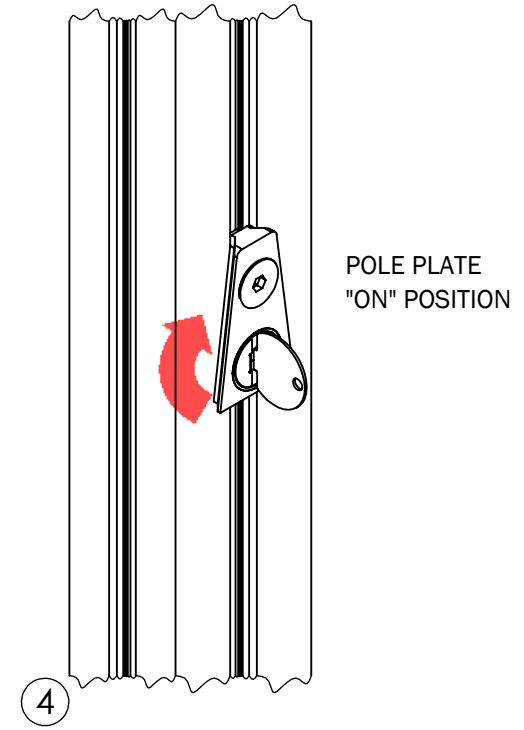
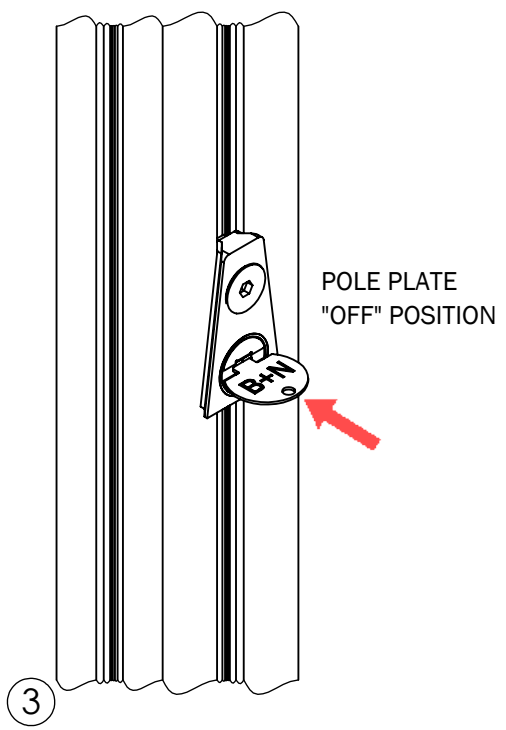


**B+N Tip!** Keep the allen keys and electrical keys in a secure, easily accessible location for future use. The electrical keys can be added to a keychain.

### Attaching the Pole Plate



### Turning "ON" The Pole Plate



**GENERAL SCOPE:** Pole Plates serve two purposes. The first is to support the accessory. It does so using a locking taper shape, which creates an incredibly strong and rigid connection (Millwork cabinets use a slightly different attachment method, see Page 12). The second purpose of the Pole Plate is to deliver power to the accessory. Each accessory comes with (1) Electrified Pole Plate and the remainder are non-electrified. When installing a spanning accessory, generally power is supplied on the *LEFT* side of the accessory, and thus the Electrified Pole Plate should be installed on the *LEFT* side as well. The electrified side of the accessory is easy to find by looking for the copper connectors inside the Back Plate (see image at left).

Pole Plates can be installed on any of the 4 surfaces of the upright, at any location on the vertical.

**STEP 1:** To install a Pole Plate, first align the locking nut and electrical connector on the back of the Pole Plate to a vertical position so that they can slide in between the channel of the upright.

**STEP 2:** Determine the height of the accessory being installed and slide the Pole Plate up or down into position. Using the supplied allen key, tighten the lock nut to secure the Pole Plate into position.

Note 1: To aid creating matching and level Pole Plates on an additional upright, please see the following page "Spacing Uprights."

Note 2: If the lock nut is not tightening against the upright, the nut was not loosened enough on the screw before inserting into the channel. Remove the Pole Plate and loosen the nut further, then reattach. This will allow the nut to spin into position and then tighten.

Note 3: Double check that the Pole Plate is firmly locked into position by trying to push it up or down.

**STEP 3:** If the accessory requires power, insert the Electrical Key into the circular electrical connector slot.

**STEP 4:** Rotate the key 90 degrees until resistance is felt. The Pole Plate has now made an electrical connection to the internal power of the Sorbetti Upright and is now ready to power an accessory once the upright is connected to power (see Page 9 *Powering Uprights*).

## SPACING UPRIGHTS

**GENERAL SCOPE:** After installing the first upright, additional uprights can be installed easily with the aid of the Spacing Jig. The Spacing Jig is used for both *Floor to Ceiling* and *Floor to Wall* applications. The same jig can be used for both 24" and 48" on-center elevations.

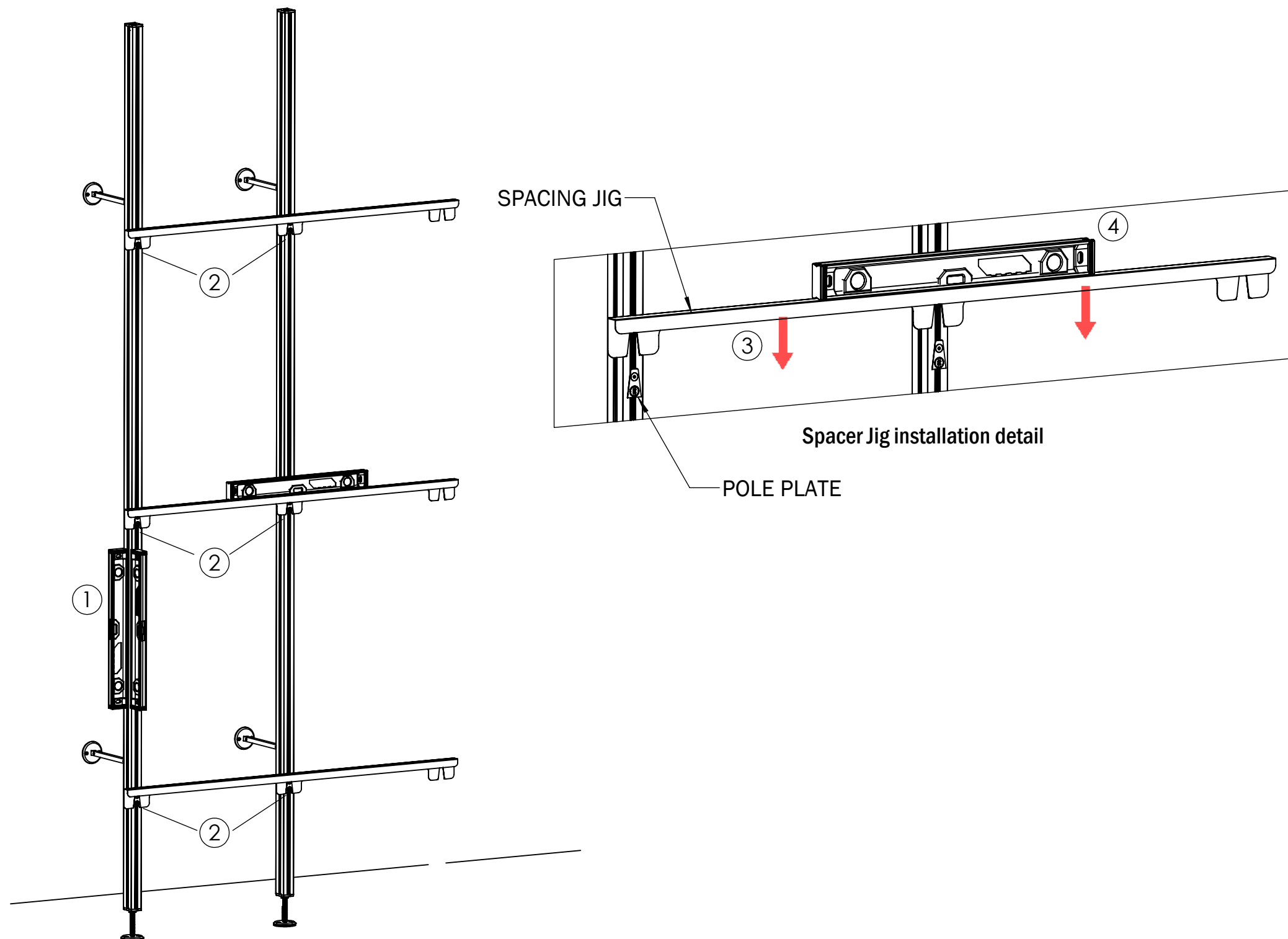
**STEP 1:** Verify that the first upright is installed level; both left to right and forward and back. Prepare the second upright to be installed by placing it in the approximate desired location (have a helper hold it upright).

**STEP 2:** Borrowing Pole Plates from the accessories on hand, add one towards the lower portion of the first installed upright (front surface) and a matching one on the second upright you are installing. Add a second and third row Pole Plate set higher up. Fully tighten the Pole Plates on the first upright, but leave the Pole Plates on the second upright slightly loose so they can be easily repositioned and leveled.

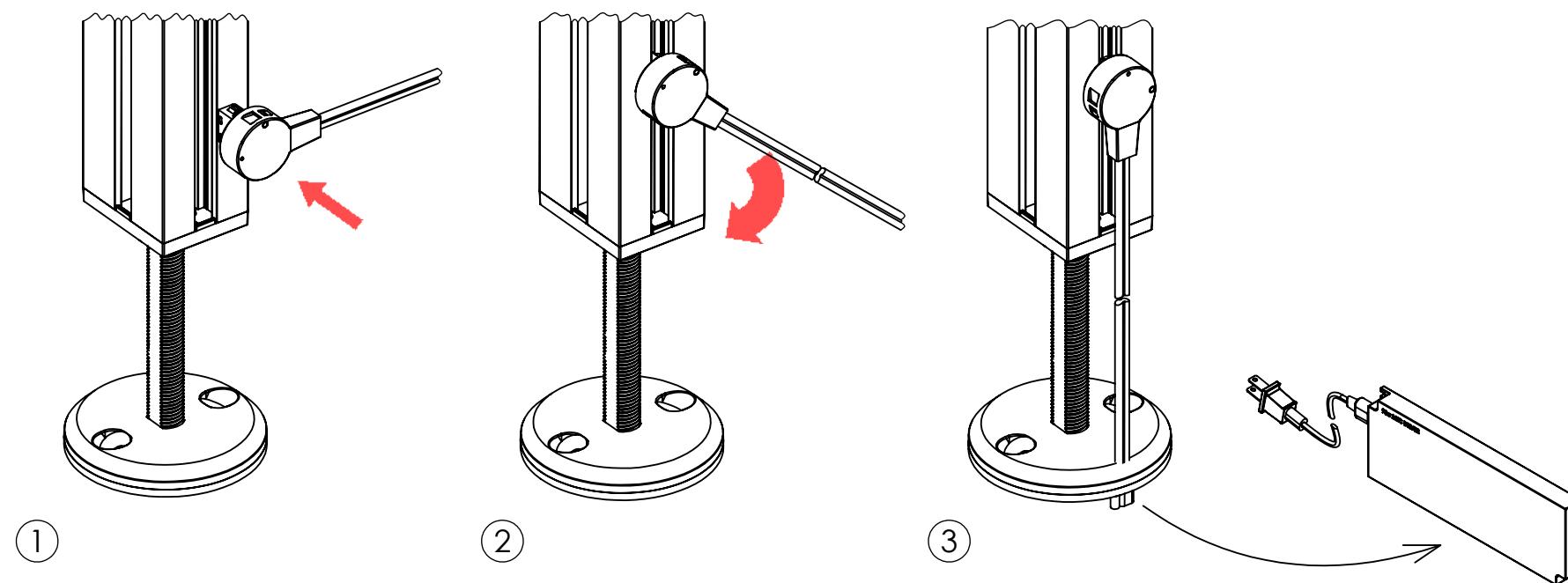
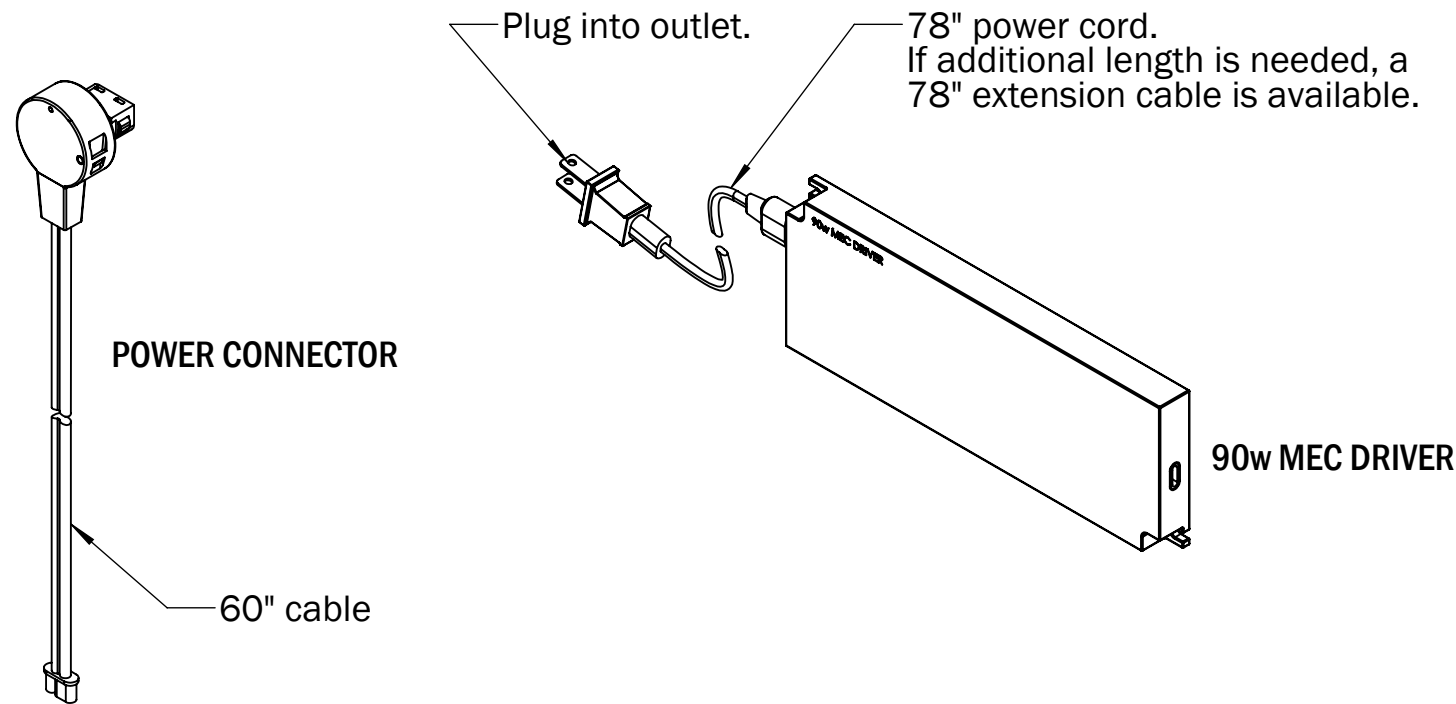
**STEP 3:** Hold the second upright into its approximate desired location. Slide a Spacing Jig down onto a matching set of Pole Plates.

**STEP 4:** Level the Spacing Jig by sliding the Pole Plate on the second upright up or down as needed. Tighten the Pole Plate once leveled. Repeat for the additional Pole Plates and Jigs. The next upright is now correctly spaced.

**STEP 5:** Verify the second upright's level and then screw the upright into position, using the instructions on previous pages. Remove the Jigs and repeat steps for additional uprights. Jigs can be stored for future use.







**GENERAL SCOPE:** Power is supplied to the Sorbetti Upright by means of a Power Connector attached to a driver. The Power Connector can be attached to any of the four sides of the upright and anywhere along the vertical. It is recommended to be attached in the most inconspicuous spot available with easiest access for the driver and power outlet.

**Note:** Generally one driver connected to an outlet powers one upright. But up to four uprights *can* be daisy chained to together and powered by a single electrical outlet (For daisy chain instructions, see the following page). Also, please speak to a B+N representative to discuss the best solution for your electrical power needs.

**STEP 1:** To attach a Power Connector, first determine the best location. Then, with the open circle "OFF" symbol printed on the molded round head of the Power Connector pointing up, insert the prongs of the Power Connector head into the upright.

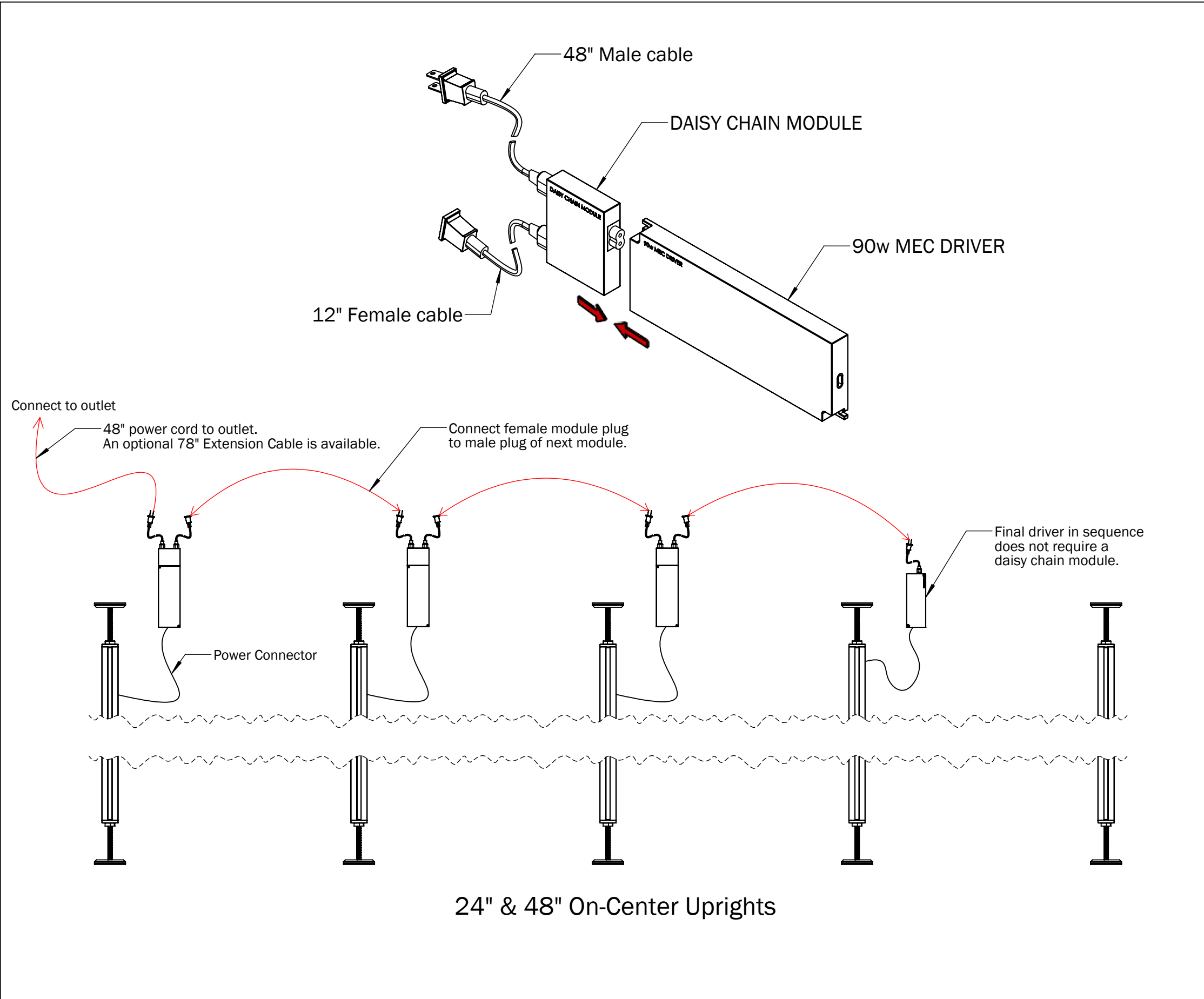
**STEP 2:** Rotate the Power Connector head 90 degrees clockwise until the white dot "ON" symbol is located at the top. The cable will be hanging down. The connector is now ready to supply power to the upright.

**Warning!** Do not install the Power Connector upside down as it will invert the polarity of the electrical, causing accessories not to light properly.

**STEP 3:** Connect the loose end of the Power Connector cable to the driver, and the driver to an outlet. Assure the driver is placed in a well-ventilated location as the MEC Drivers generate heat. Cord management is to be handled by the installer. The Sorbetti Upright is now electrically live and ready to power accessories.

**Note 1:** Now is a good time to test the functionality of the upright to verify electricity is being supplied. Unplug the driver, install an Electrified Pole Plate, turn on the Pole Plate, and plug the driver back in. Hang an accessory and verify the accessory lights up. If it does, remove the accessory and Pole Plate, and unplug the driver to continue installation. If it does not light up, troubleshoot components one at a time.

**Note 2:** If at any time by accident a Pole Plate or accessory is moved while the system is live, and it sparks, the driver may trip its internal breaker. Unplug the driver and wait up to 5 minutes for the driver to reset its breaker. Plug the driver back in and it should function normally.



**GENERAL SCOPE:** Each MEC Driver includes a Daisy Chain Module. This method of connecting power allows up to *four* MEC Drivers to be connected to one power outlet by chaining the drivers together. This page explains the cable routing that applies to both 24" and 48" on-center applications.

**STEP 1:** After installing the uprights in the desired locations, determine where the 120v wall power is originating from.

**STEP 2:** Loosely lay out the locations of the drivers to determine where they will be attached and where the Power Connectors will connect to the uprights. Examples for attachment locations would be behind the accessories, on the wall, or hidden in a well ventilated ceiling (MEC Drivers generate heat). Also determine the attachment method such as velcro, double-stick adhesive, or even zip ties.

**STEP 3:** Connect the Daisy Chain Modules to each of the MEC Drivers. The final MEC Driver does not require a Daisy Chain Module.

**STEP 4:** Starting from the first module, connect the female plug coming out of the Daisy Chain Module to the next module's male plug. Repeat for remaining drivers and modules. The final driver's 78" cable is connected straight to the last module cable.

**STEP 5:** After all cable connections are made, attach the driver/module combos where desired, paying mind to cable management. Connect the Power Connectors to all uprights.

**STEP 6:** Finally, connect the first Daisy Chain Module's cable to the power outlet. If additional length is needed, the 48" plug cable of the module can be attached to an optional 78" Extension Cable. All uprights will now be powered.

# SORBETTI 2.0

## INSTALLING ACCESSORIES

PAGE  
11 of 13

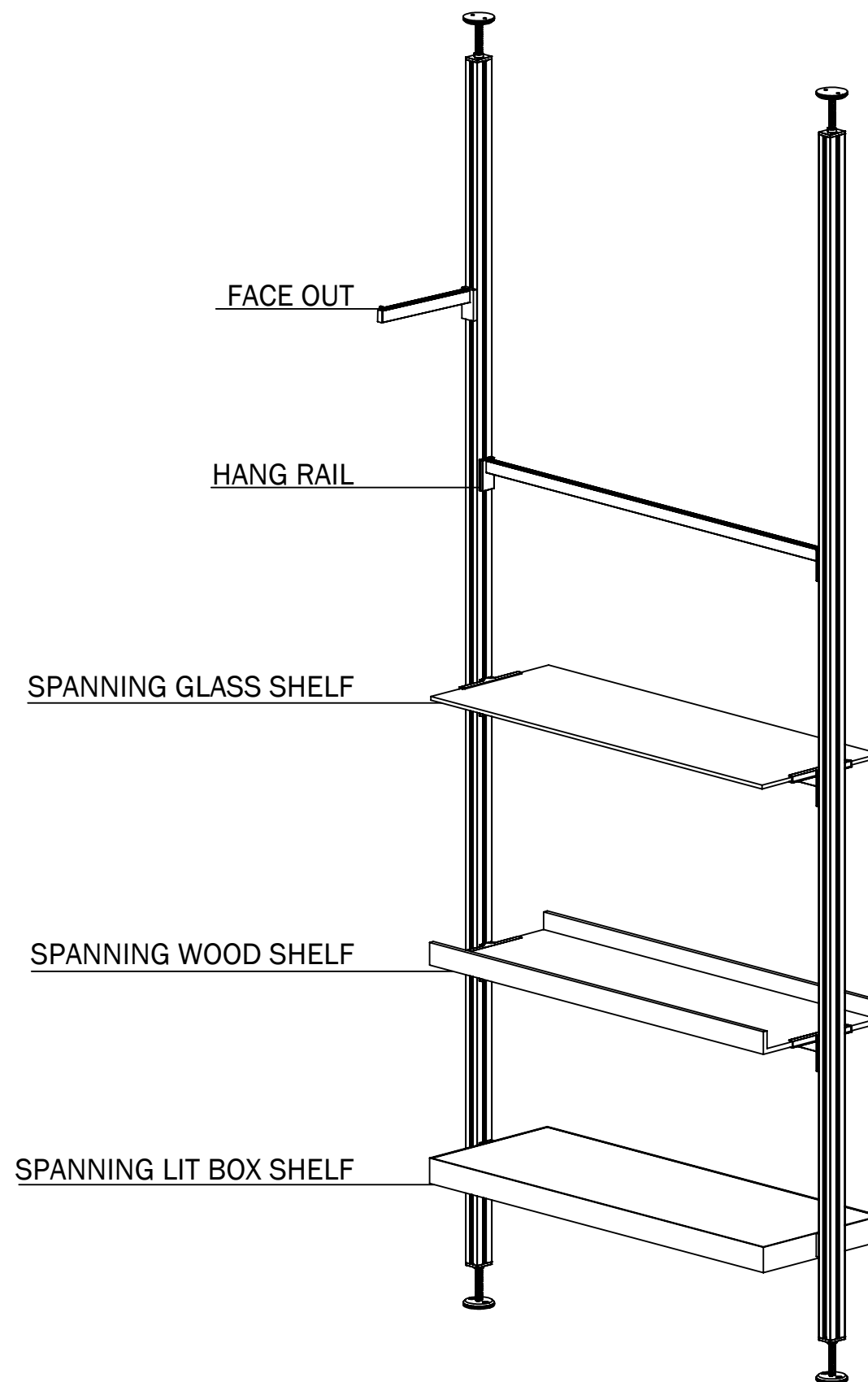
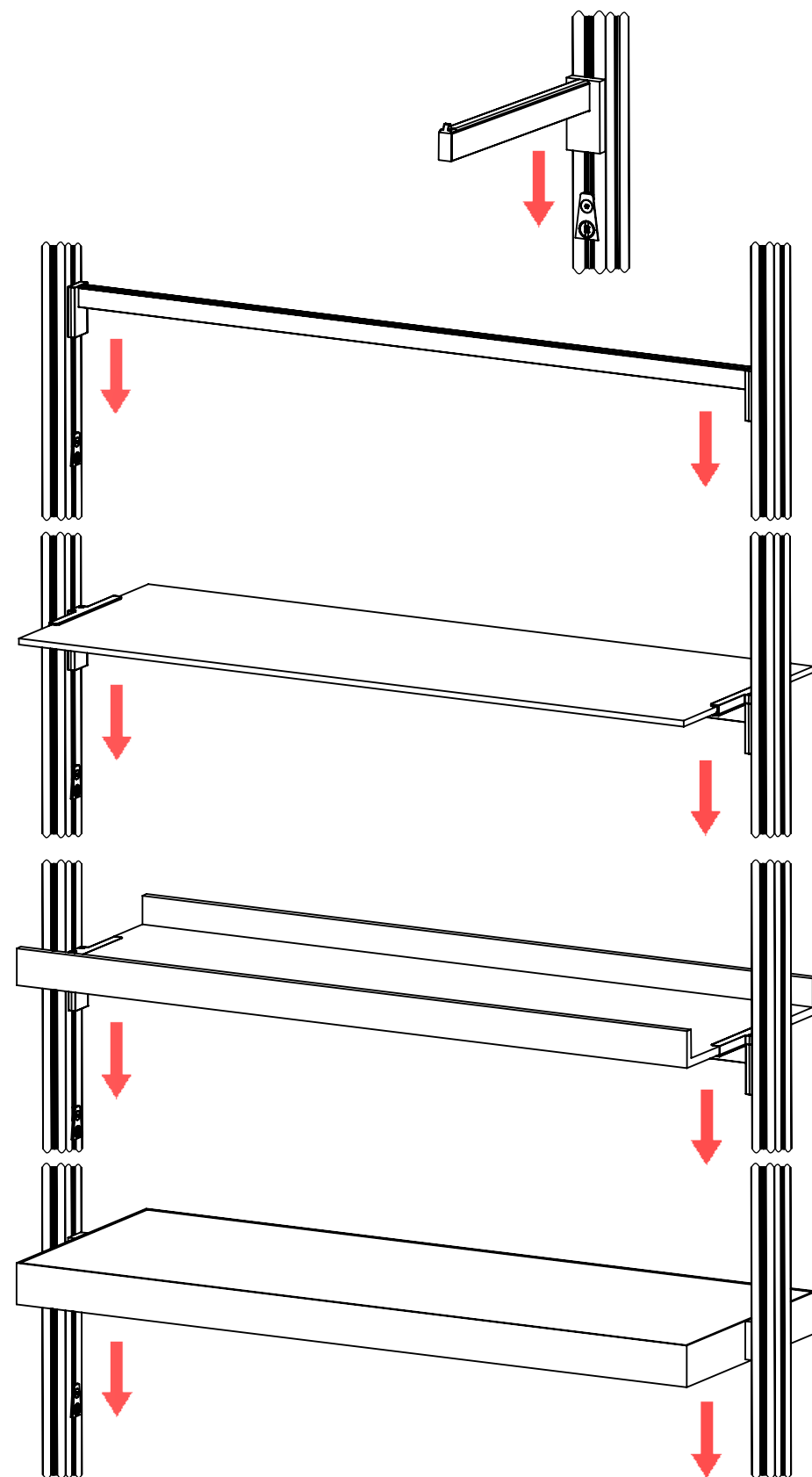
**GENERAL SCOPE:** After installing the Sorbetti Uprights and powering them, it is time for the fun part... installing accessories!

**STEP 1:** Determine which accessory is being installed and where it will be installed.

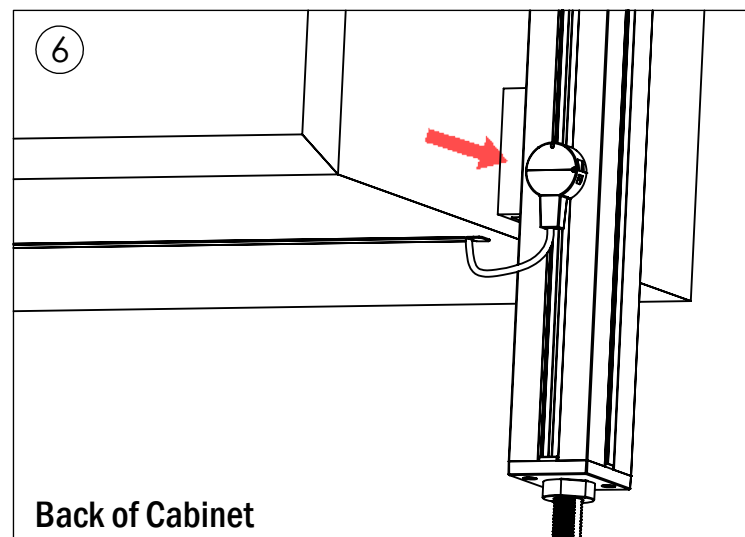
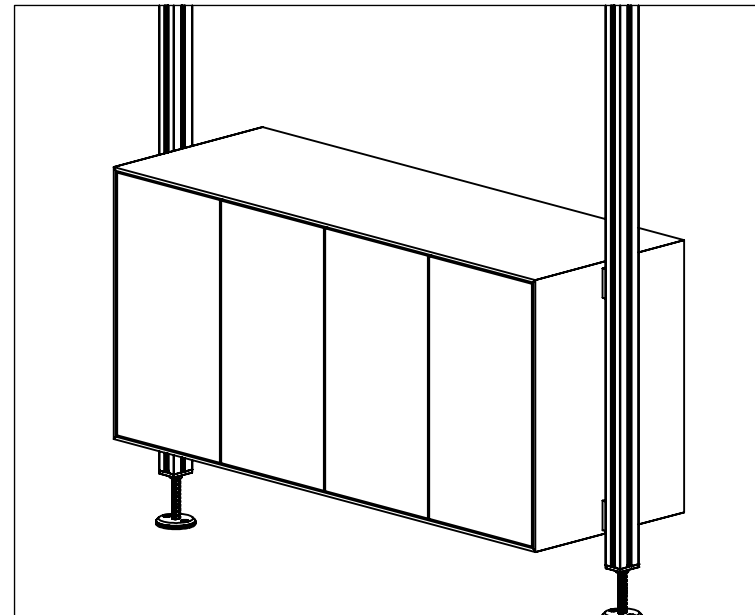
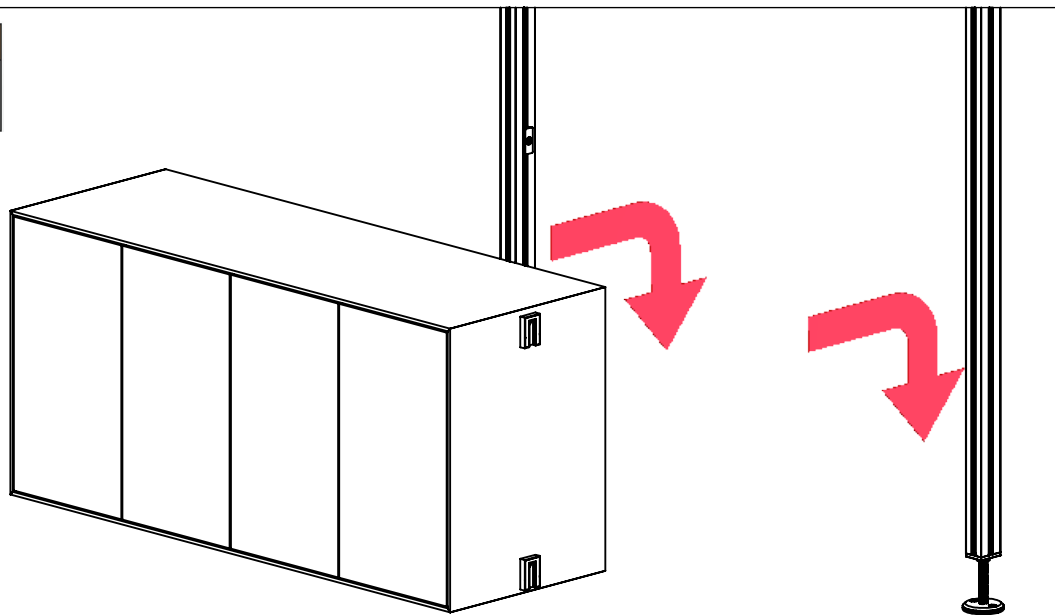
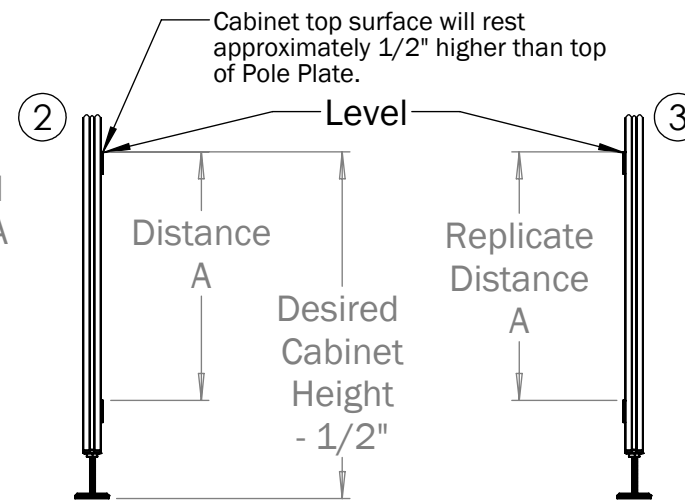
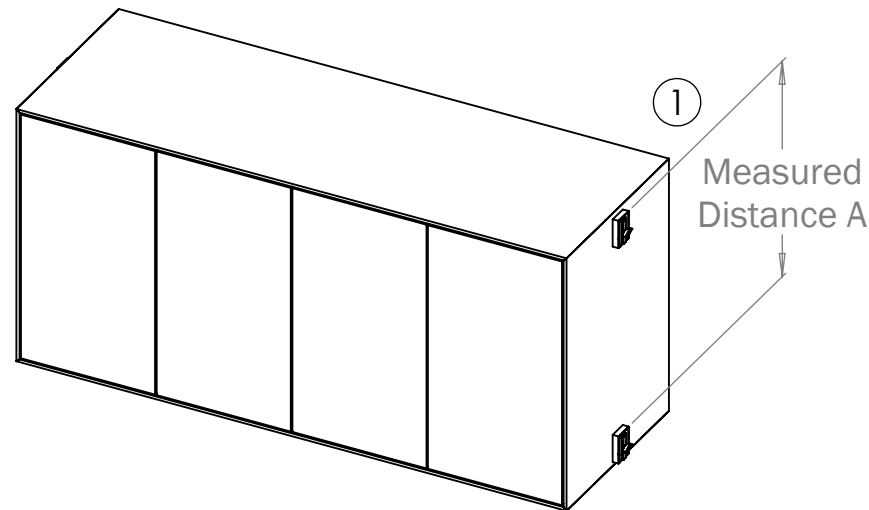
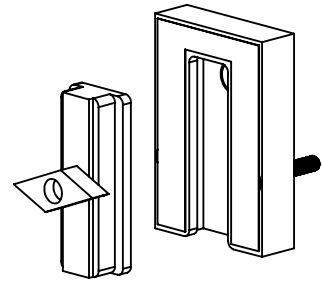
**STEP 2:** If installing a spanning accessory, use the Spacing Jig by following the "Spacing Uprights" instructions to properly install the Pole Plates.

**STEP 3:** All spanning accessories receive their power from the *LEFT* side. Turn "On" the left side Pole Plate following instructions on "Attaching Pole Plates." Accessories like Face Outs require one powered "On" Pole Plate.

**STEP 4:** Simply lower the accessories down onto the Pole Plates. The accessory will fully seat on the Pole Plate taper and become rigid and light up.



**Straight-Side Back Plate & Pole Plate**  
(For use on millwork cabinets)



Back of Cabinet

**GENERAL SCOPE:** Installing the larger cabinets requires a slightly different approach than installing smaller accessories. Cabinets use a different style of Pole Plate and Back Plate that makes installation a breeze. It is recommended the install is done with two people lifting. Note, the cabinets use two Pole Plates per side.

**STEP 1:** Determine where the cabinet will be installed and at what height. The top surface of the cabinet will rest approximately 1/2" higher than the top of the Pole Plate. To calculate the distance between Pole Plates vertically, measure the cabinet's Back Plates from top to top. This will be the "Measured Distance A".

**STEP 2:** Starting on the first upright, install the top-most Pole Plate 1/2" lower than where the cabinet height is desired. The lower Pole Plate will then be installed at the "Measured Distance A" dimension from Step 1. Fully tighten both Pole Plates.

**STEP 3:** Install the matching set of Pole Plates on the next upright by first leveling the top Pole Plate with the top Pole Plate of the first upright. Then install the lower Pole Plate at the "Measured Distance A" dimension. Fully tighten both Pole Plates.

**STEP 4:** Using two people, lift the cabinet up and over, positioning the Back Plates on the sides of the cabinet just above their corresponding Pole Plate on the uprights.

**STEP 5:** Lower the cabinet into its final position. It should install smoothly. If any binding occurs, recheck the Pole Plate positions. Verify final level of cabinet and readjust Pole Plates if needed.

**STEP 6:** Powering the lower LED light is accomplished by attaching the included Power Connector to the back side of the Sorbetti Upright following directions from "Powering Uprights."

**STEP 7:** Repeat steps for all remaining cabinetry.

It is now time to *turn on the power* and start using the system!

# Thank you for choosing SORBETTI 2.0



650.593.4127 [WWW.BNIND.COM](http://WWW.BNIND.COM)