

PUCK SYSTEM ASSEMBLY & INSTALLATION

PUCK SYSTEM

SYSTEM OVERVIEW

PAGE
1 of 8

GENERAL SCOPE: The Puck System is a panel based system in which round "Pucks" are attached to the panel surface. These Pucks allow a multitude of different accessories to be attached, providing a large range of merchandising possibilities.

Standard panels are sold at 48" wide by 96" tall. Other custom panel sizes would need to meet minimum project requirements. A Puck placement of 8", 12", and 16" spacing is standard; all other Puck placements would need to meet minimum project requirements. Alternatively, Puck and Puck hardware can be sold independently for installation into panels created by an outside millworker. All stock panels are affixed to a wall surface using extruded aluminum panel & wall cleats. Contact B+N for more details.

The following pages are instructions for installing a basic Puck wall elevation. Hardware installation as well as panel installation will also be covered.

TOOLS PROVIDED:

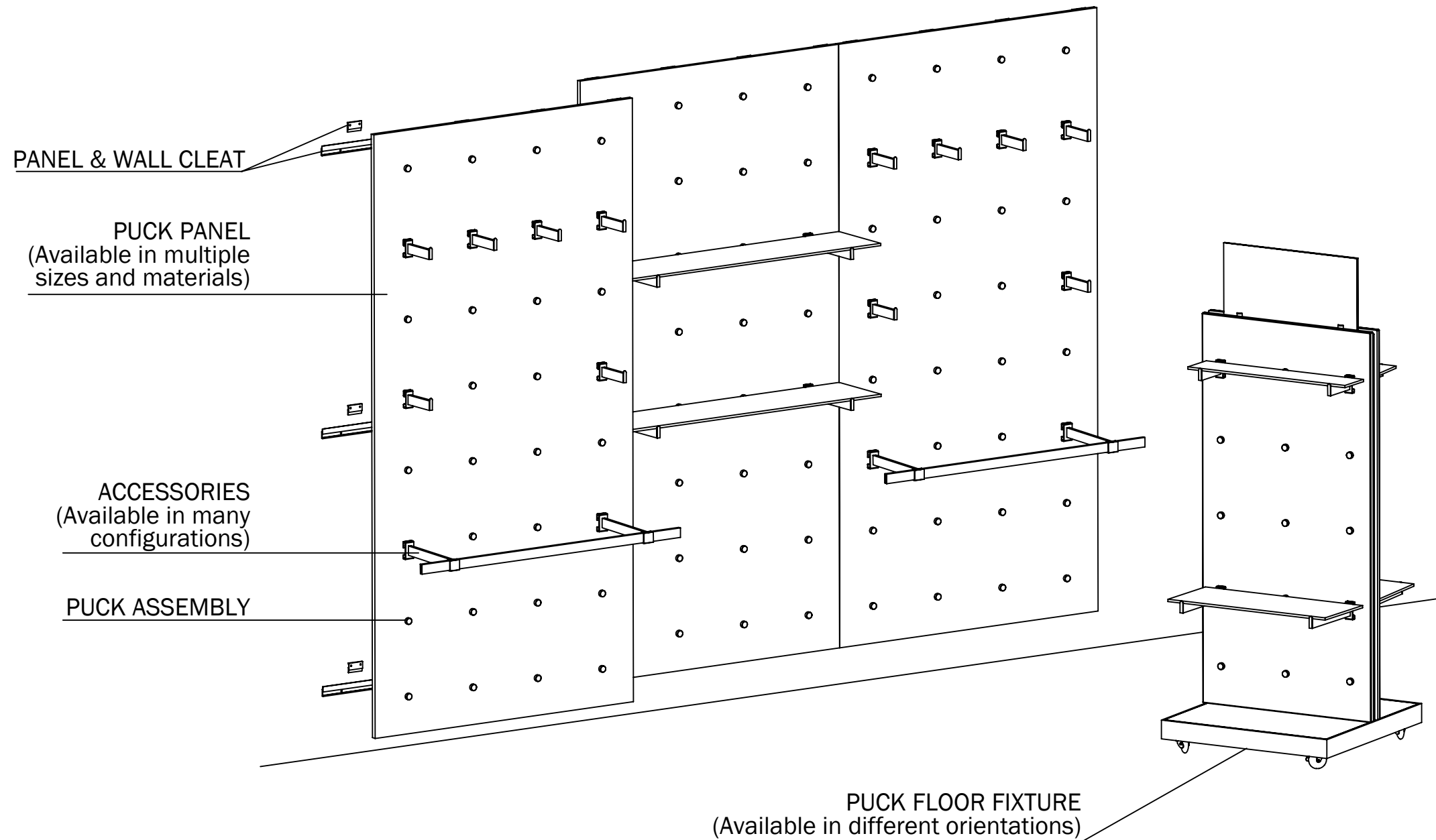
(1) Folded sheet metal Puck tool

NOT PROVIDED:

- Hardware to attach to wall cleats to wall (#8 screw)
- Any needed blocking

RECOMMENDED TOOLS:

- Hand Drill + necessary drill and driver bits
- Levels
- Tape Measure



PUCK SYSTEM

HAMMER IN PANEL T-NUTS

PAGE
2 of 8

BEFORE YOU BEGIN: The following instructions will show an example Puck Panel installation starting from a blank pre-dilled panel to final installation on the wall. B+N Pucks and Puck fittings *can* be purchased separately. This guide is to direct a typical installation, however, best practices by any experienced millworker can supersede this guide.

STEP 1: Begin with a pre-drilled panel. Customers creating their own panels will be responsible for determining locations of hardware, and pre-drilling pilot holes for panel cleats and thru holes for t-nuts. Use the measurements shown as a guide.

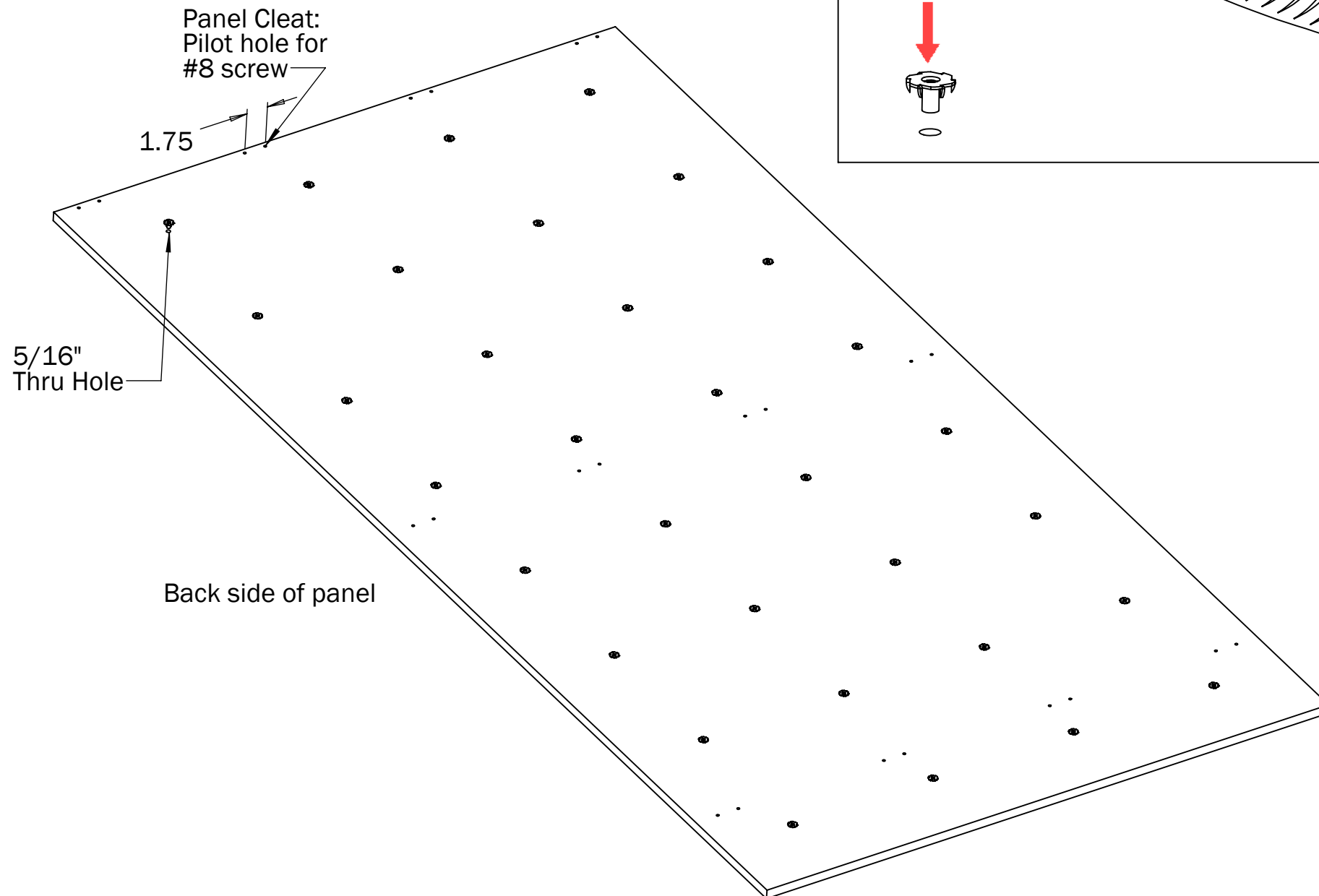
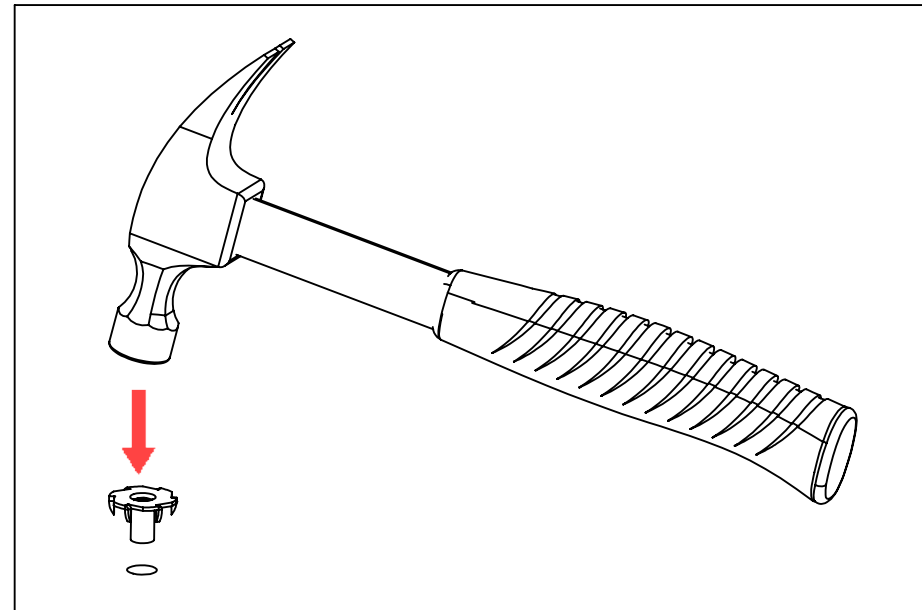
STEP 2: Lay the panel front-side down on a solid table surface covered with cardboard to prevent damage to the finish.

STEP 3: With the back of the panel facing up, hold a t-nut over the first thru hole and begin tapping the 1/4-20 t-nut into the panel with a hammer. Using appropriate force tap the t-nut fully into position until it is fully seated.

WARNING! Do not use excessive force as this can damage the t-nut and panel.

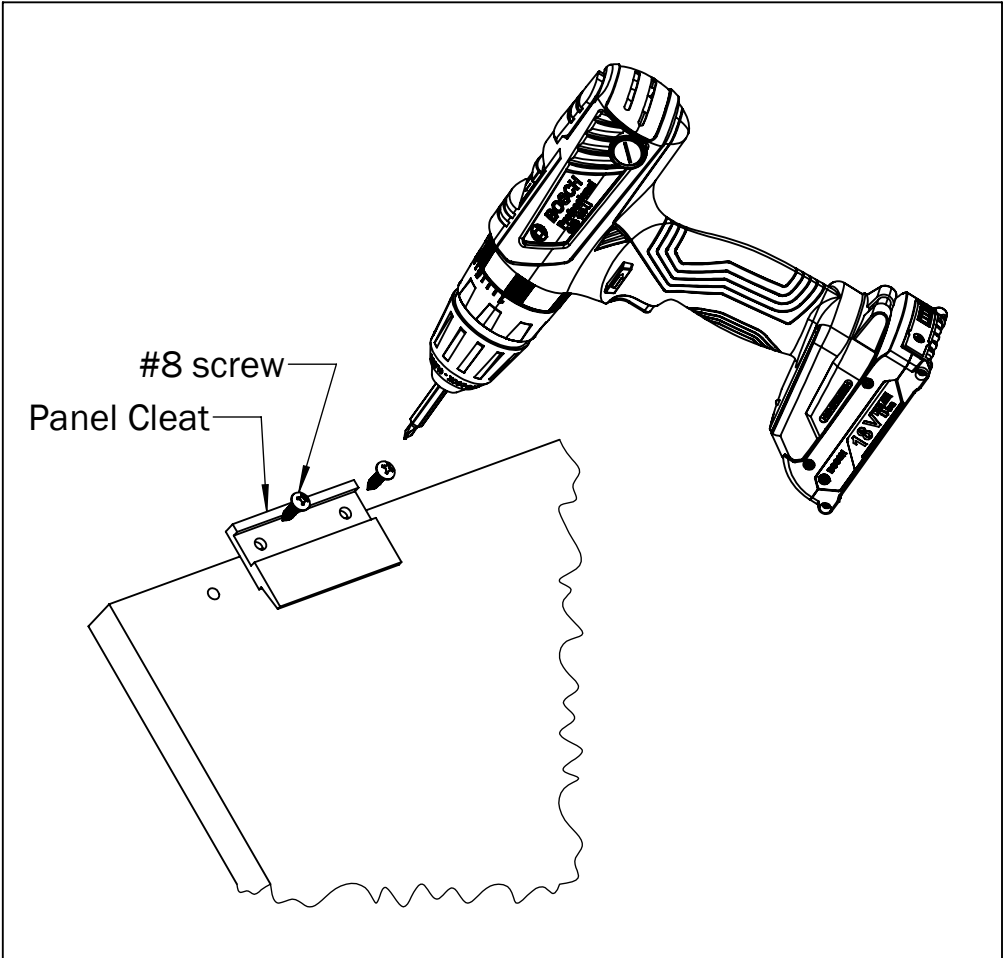
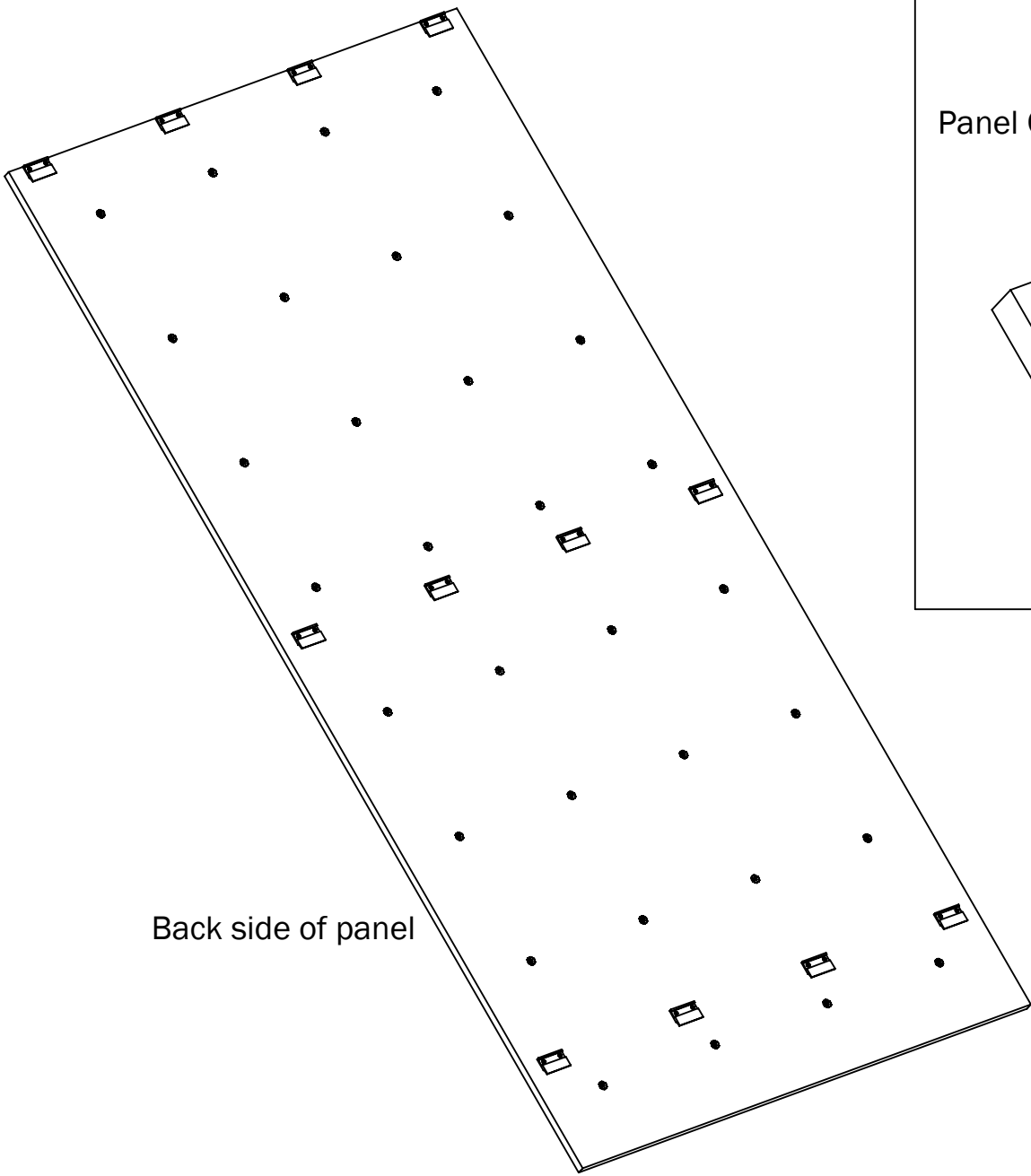
STEP 4: Install the remainder of the t-nuts into the back of the panel.

NOTE: Panels purchased from B+N will have t-nuts already installed.



PUCK SYSTEM

ATTACH PANEL CLEATS



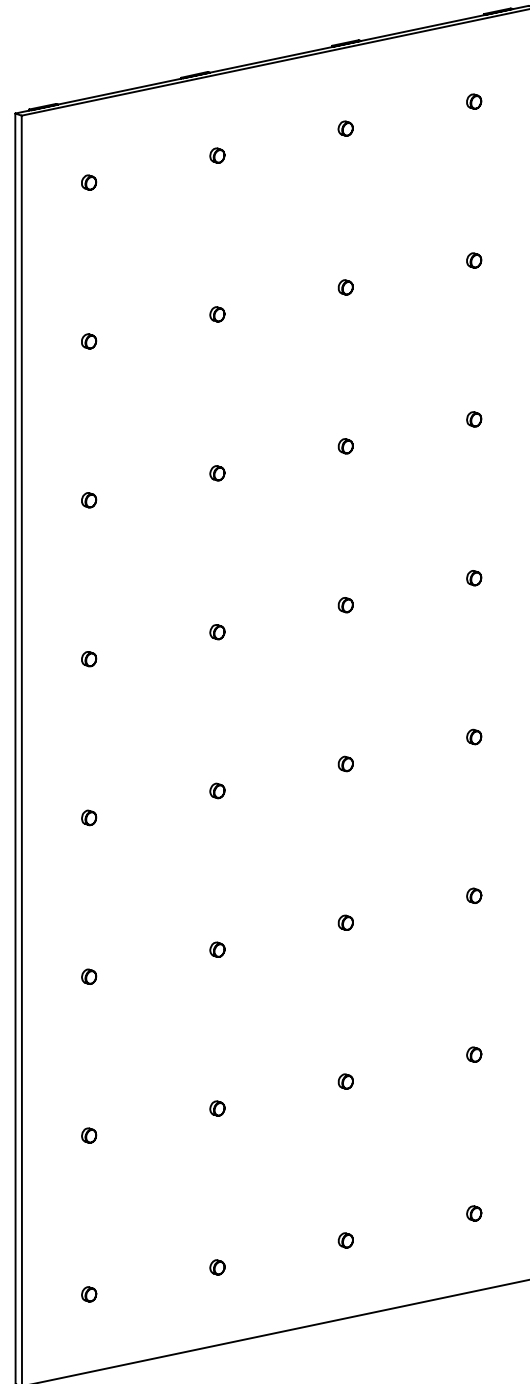
STEP 1: Attach the panel cleats to the back side of the panel by locating the pre-drilled pilot holes (see Note 1 below). Each cleat is secured by two #8 buttonhead screws.

NOTE 1: Depending on the panel material type, screw anchors are required to provide sufficient panel cleat attachment strength. When purchasing Puck hardware to install into a custom panel, the determination of the cleat attachment solution is the responsibility of a qualified millworker. All panel mounting solutions are to comply with appropriate accepted building codes for installation safety and is beyond the scope of these documents.

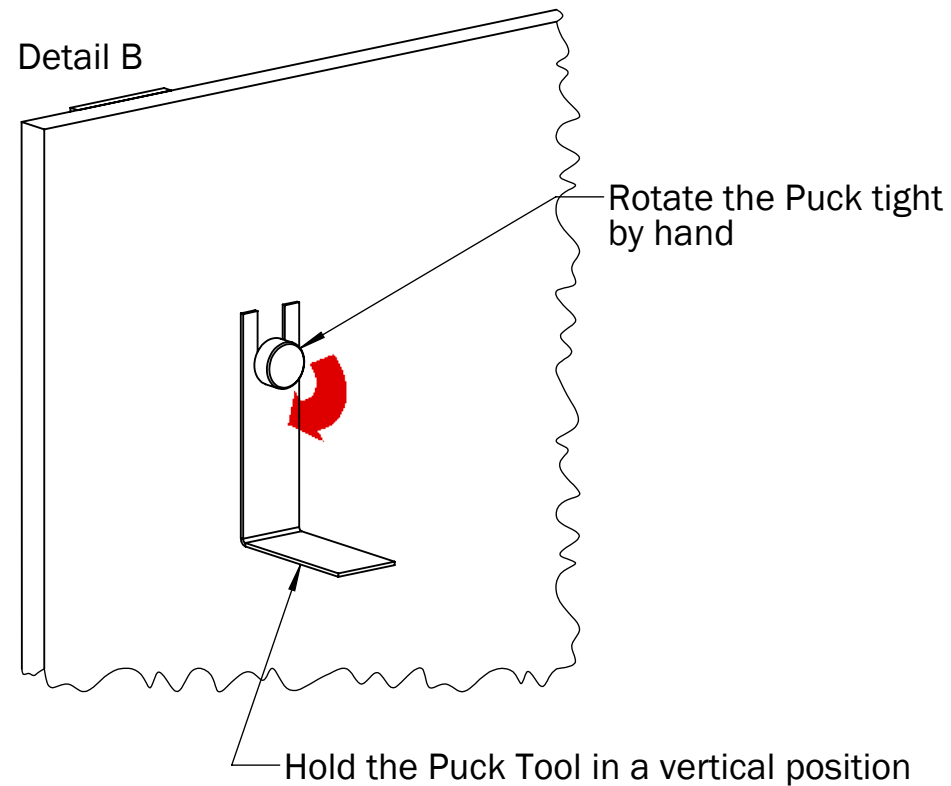
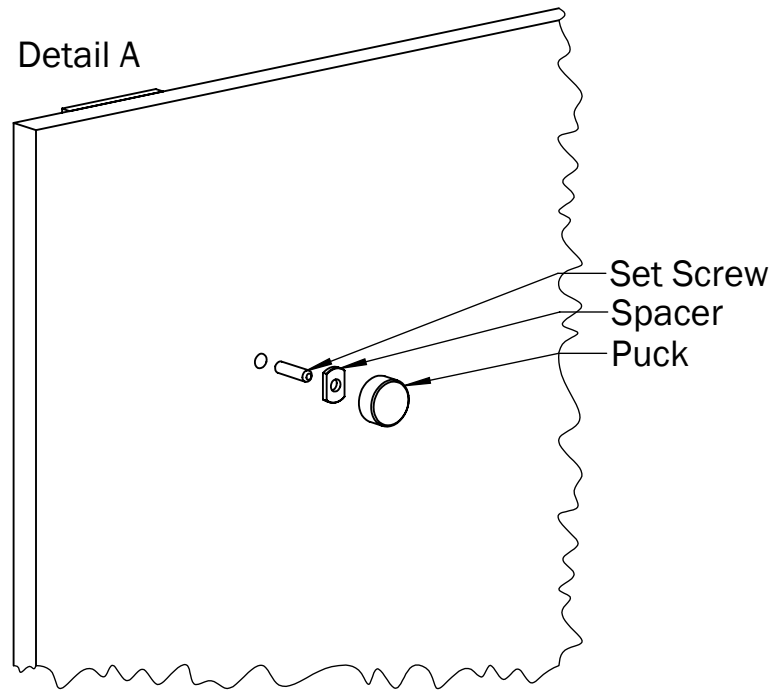
NOTE 2: Panels purchased from B+N will have cleats already installed.

PUCK SYSTEM

ATTACH PUCKS



Front side of panel



STEP 1: Flip the panel around so that the front-side of the panel is now facing up to begin Puck installation.

The Puck assembly consists of three parts (See Detail A):

- 1) 1/4-20 Set Screw
- 2) Puck Spacer
- 3) Puck

STEP 2: Screw the set screw into the threaded hole by hand approximately halfway in.

STEP 3: Slide a Puck Spacer over the set screw.

STEP 4: Screw the Puck onto the end of the set screw by hand until it just makes contact with the Puck Spacer.

STEP 5: Slide the folded sheet metal Puck Tool under and up to locate around the Puck Spacer (See Detail B). Hold the tool vertically while fully tightening the Puck by hand. Simply slide the tool downward to remove.

STEP 6: Repeat Steps 2 through 5 for the remainder of the Pucks.

PUCK SYSTEM

ATTACHING WALL CLEATS

After the panels are assembled with panel cleats and Pucks, wall installation can begin.

STEP 1: Determine the desired height from the floor to install the panel. This example shows a stock 48" wide by 96" tall panel being installed 6" from the floor.

STEP 2: Double check the cleat spacing by measuring the distance between the cleats on the back of the panel. Measure from the bottom of the panel to the mounting surface of the bottom-most cleat (See Detail A). Write this measurement down.

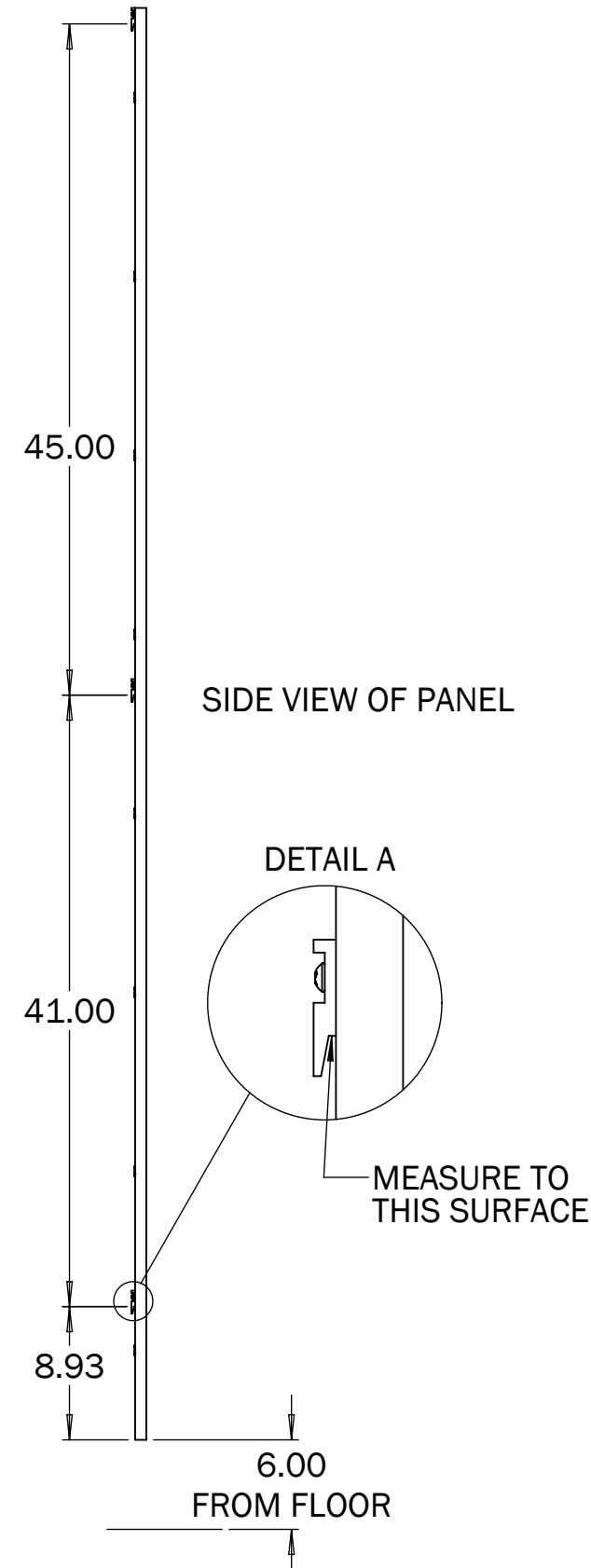
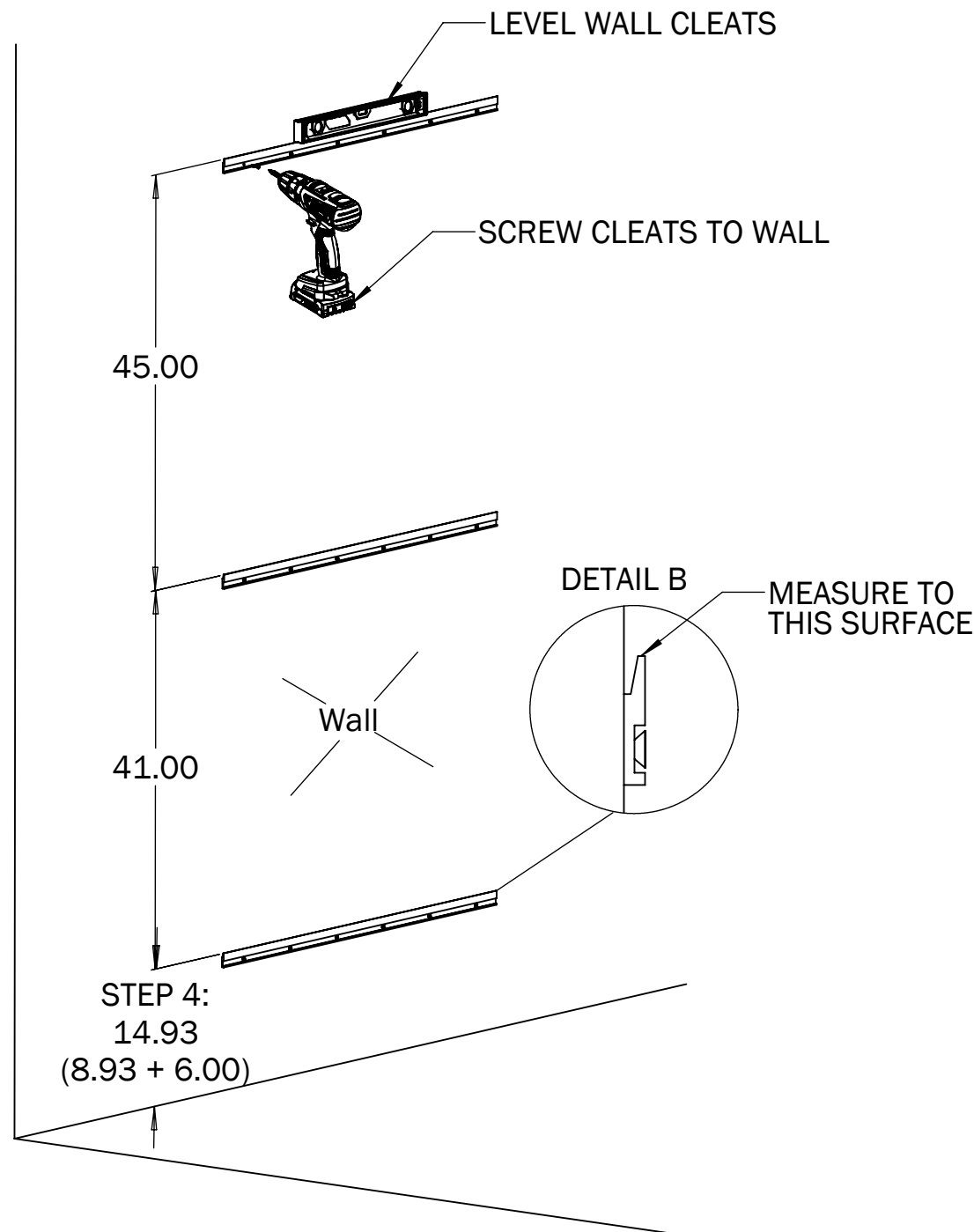
STEP 3: Repeat the measurements for the remainder of panel cleats. Write these measurements down.

STEP 4: Add the desired panel-to-floor height from STEP 1 to the first cleat measurement of STEP 2. This is the installed height for the bottom-most wall cleat. Using a level, attach the bottom-most wall cleat by measuring to the mounting surface (See Detail B). Attach the wall cleat to the wall using appropriate hardware (not included) for the wall substrate.

STEP 5: Finish attaching the remainder of the wall cleats using the measurements obtained from the panel cleats.

NOTE: Fasteners for wall cleat attachment are not provided by B+N Industries. The General Contractor installing the panels is responsible for determining a building code compliant solution for panel attachment.

EXAMPLE WALL CLEAT INSTALLATION



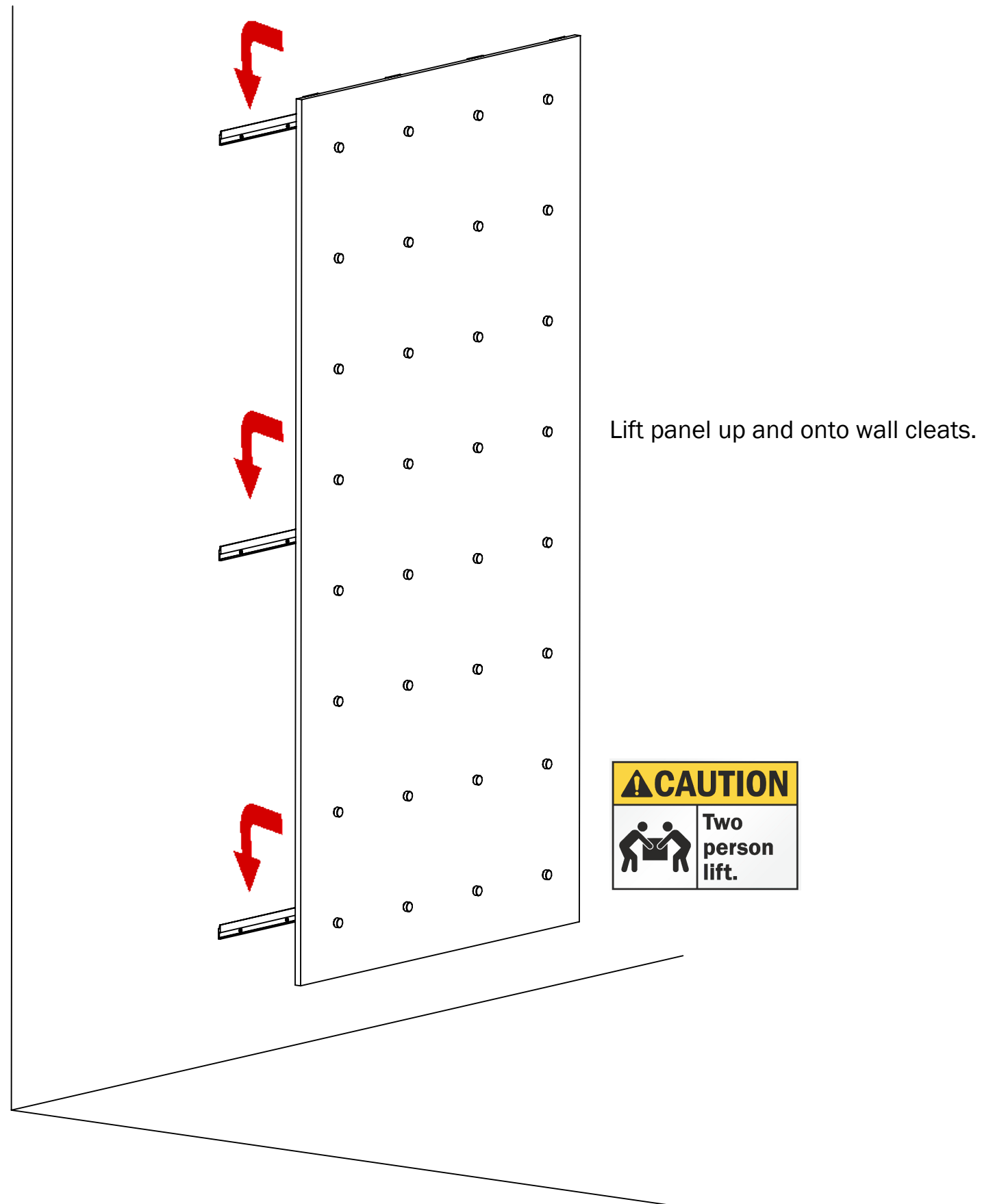
PUCK SYSTEM

HANGING A PANEL

Once the wall cleats have been fixed to the wall, the panel can be lifted and set into position.

STEP 1: Using two people, lift the panel up and against the wall, making sure the panel cleat is higher than its corresponding wall cleat.

STEP 2: Lower the panel down so that all panel cleats engage with all wall cleats. The panel will now be affixed to the wall. Verify that the panel is completely engaged with all wall cleats and is level.

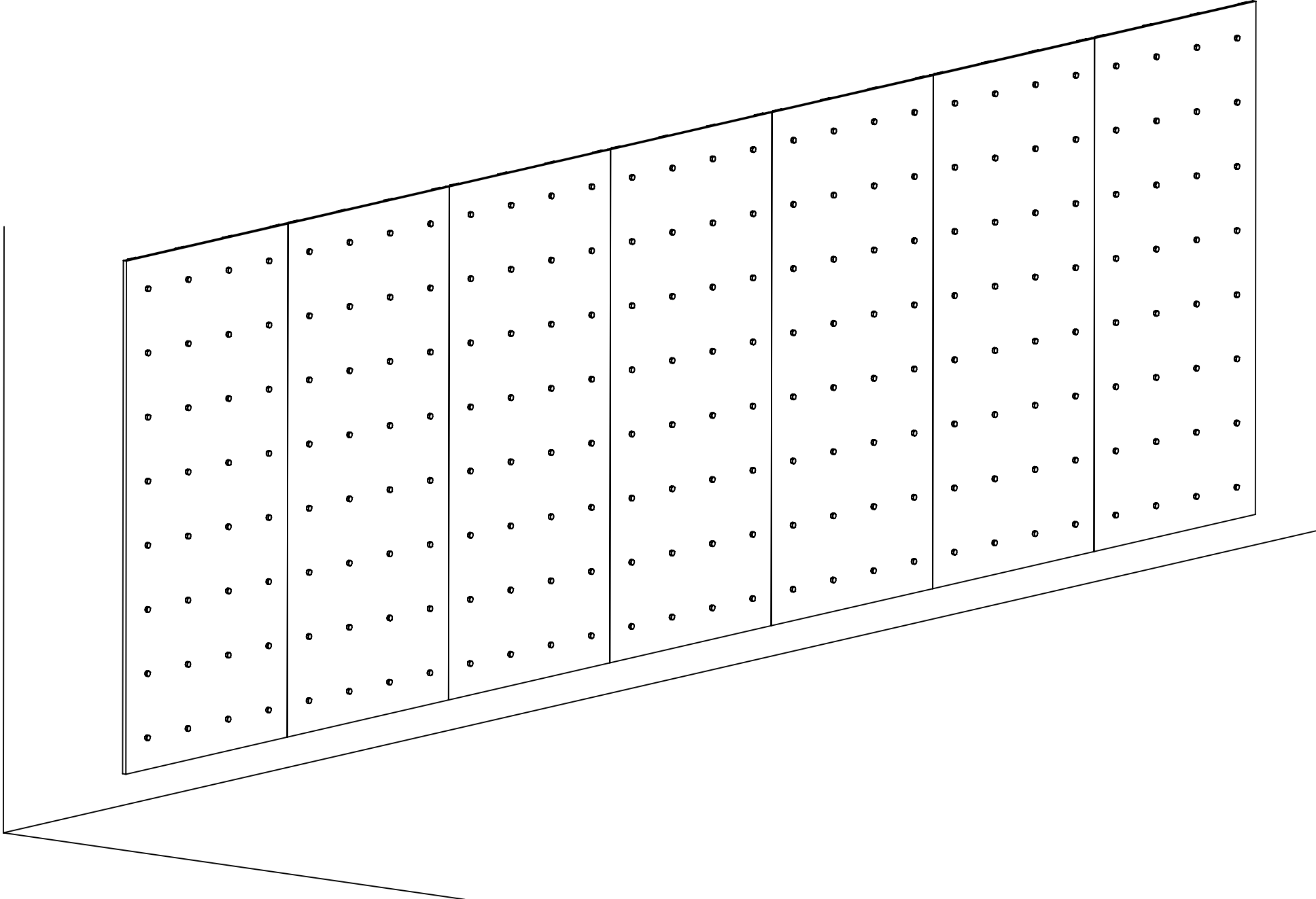


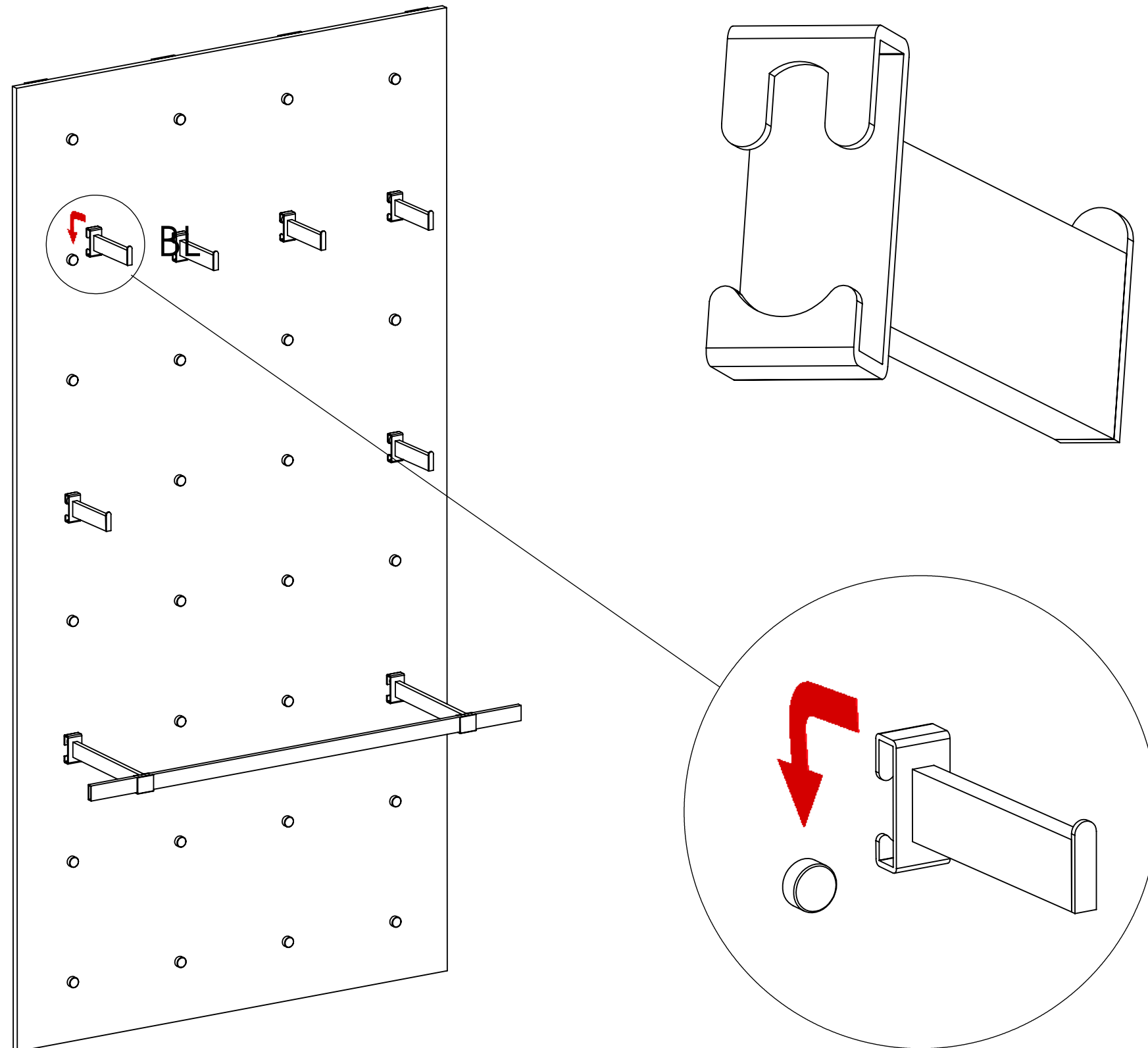
PUCK SYSTEM

FINISHING THE PANEL ROW

If installing more than one panel, install the remainder of the panels in a similar fashion as the first, assuring spacing of wall cleats accounts for the width of the panel.

The panels are fully installed and ready for attaching accessories.





GENERAL SCOPE: The Puck System offers a wide range of accessories including facouts, handrails, and shelf supports. All accessories are hung on the panel in a similar fashion by sliding the back of the accessory down onto the Puck.

STEP 1: Holding the accessory, place the back surface of the accessory against the panel, and lower it down into position over the Puck. The accessory will "lock" into place.

NOTE: If the accessory does not slide over the Puck, double check that the Puck spacer is correctly positioned with its straight sides perpendicular to the floor.

STEP 2: Add additional accessories as desired!

**Thank you for choosing the
PUCK SYSTEM!**



650.593.4127 WWW.BNIND.COM